



**Office supply?  
We got it!**

**TWINCO  
SOLUTION  
KATALOG 2025**

Welcome to our new catalogue for an update on our wide range of innovative products.

TWINCO Solution gives you swift, efficient and easy access to everything you need to know about us. Visit our website at [www.twincosolution.com](http://www.twincosolution.com) for quick and continuously updated access.

Our website provides:

- Lots of exciting news – continuously updated
- Downloads of dimension and assembly drawings
- Logistics and environmental data
- Downloads of product photos and ISO or TÜV certificates

TWINCO Solution develops office, warehouse and computer accessories for the discerning professional user.

Best regards  
TWINCO Solution

Sehr geehrte Kundin, sehr geehrter Kunde, Mit unserem neuen Katalog präsentieren wir erneut unsere breite Auswahl an innovativen Produkten.

In unserem Katalog finden Sie:

- Eine klare und schnelle Übersicht über unser Warenangebot
- Viele interessante Neuigkeiten
- Die bereits bekannten internationalen Produkte
- Allgemeine Informationen zu TWINCO Solution

Auf unserer Webseite finden Sie:

- Viele interessante Neuigkeiten regelmäßig aktualisiert
- Download von Maß- und Montagezeichnungen
- Logistik- und Umweltinformationen
- Download von Produktfotos und TÜV-Zertifikaten

TWINCO Solution entwickelt Computerzubehör, Lagezubehör und Bürozubehör für professionelle Anwender, für die Qualität unabdingbar ist.

Mit freundlichen Grüßen  
TWINCO Solution



3-14

Stepstools / Rollhocker  
Plastic Step ladders / Klapptritte  
Metal Step ladders / Klapptritte  
Wobble stool  
Anti-fatigue stools / Stehhilfen



15-21

Footrests / Fußstützen



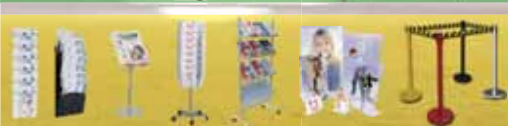
22-26

Penholder / Stifteköcher  
Waste Bins / Papierkorb  
Umbrella stand / Schirmständer



27-34

A Boards / Kundenstopper  
Snapframes / Plakaträhmen  
Mobile Whiteboard  
Flip Chart / Flipchart  
Whiteboard / Cork Board / Felt Board  
Glass Whiteboard / Glas Whiteboard  
Mobile Glass Whiteboard / Mobile Glas Whiteboard



35-41

Literature Holders / Bodenständern  
Acrylic Displays / Acryl Prospekthalter  
Belt Barrier systems / Gurtpfosten mit ausziehbarem



42-48

Multi-Purpose Cabinet / Plastic Cabinet / Multischrank  
Copyholder / Konzepthalter  
Cable Pipes / Kabelkanäle



49-54

CPU Holders / CPU Halter  
Letter Tray System / Briefablagensystem  
Pen Tray - rotatable / Stiftschale - drehbar  
Keyboard Drawer / Tastaturauszug  
Sack Truck - Foldable / Sackkarre - Klappbar  
Whiteboard accessories Magnetische Produkte



55-57

Coat Stand/Coat Hanger



58-63

CLICK Workstations / Terminaltische  
Rectangular Table / Corner Desk  
Classic Computer Desk  
Mobile Computer Stand/Multi-functional Desk  
Portable table La / ptop table



64-69

Acoustic Partition / Akustische Trennwand  
Forearm support  
Monitor Arm Mount Stand



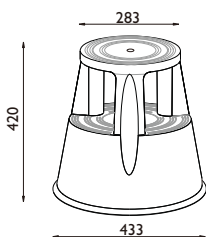
**Stepstools/Letter Tray Systems**  
**Rollhocker/ Briefablagensysteme**  
**Footrest/ Fußstütze**

### 6000 TWIN LIFT Stepstool Plastic Stepstool



**Colours:**

<b>6000-1</b> Black Ral 9005	<b>6000-4</b> Red Ral 3020	<b>6000-5</b> Blue Ral 5005	<b>6000-9</b> Light Grey Ral 7035	<b>6000-7</b> Basalt Grey Ral 7012	<b>6000-2</b> White Ral 9016
------------------------------------	----------------------------------	-----------------------------------	---	--	------------------------------------



- Tolerates heavy use without losing its looks:
  - dent-proof;
  - scratch-proof;
  - rust-proof;
- Insert molding TPE rubber ring. Rubber bonded very well with the plastic stool;
- Mobile on 3 spring loaded castors that retract when weight is applied;
- Stable and durable stool;
- Max. Load: 150Kg; TUV/GS certified.

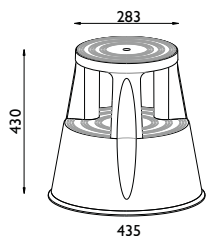


### 6100 TWIN Professional Stepstool Plastic Stepstool - Upgrading version from 6000



**Colours:**

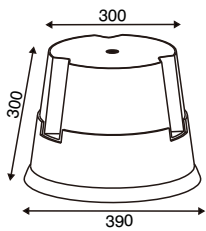
<b>6100-1</b> Black Ral 9005	<b>6100-4</b> Red Ral 3020	<b>6100-5</b> Blue Ral 5005	<b>6100-9</b> Light Grey Ral 7035	<b>6100-7</b> Basalt Grey Ral 7012	<b>6100-2</b> White Ral 9016	<b>6100-3</b> Yellow Ral 1003	<b>6100-10</b> Green Ral 5018
------------------------------------	----------------------------------	-----------------------------------	---	--	------------------------------------	-------------------------------------	-------------------------------------



- 10mm higher than the old version;
- More stable and durable stool –better product in high quality;
- All round edges and corners, more user friendly;
- Tolerates heavy use without losing its looks:
  - dent-proof;
  - scratch-proof;
  - rust-proof;
- Insert molding TPE rubber ring. Rubber bonded very well with the plastic stool;
- Mobile on 3 spring loaded castors that retract when weight is applied;
- Max. Load: 150Kg; TUV/GS certified.



**6200 TWIN EASY STEP® Stepstool**  
Plastic Stepstool



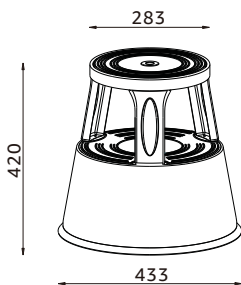
Colours:

- 6200-1  
Black  
Ral 9005
- 6200-4  
Red  
Ral 3020
- 6200-5  
Blue  
Ral 5005
- 6200-9  
Light Grey  
Ral 7035



- Strong and stable
- dent-proof;
- scratch-proof;
- rust-proof;
- Mobile on 3 spring loaded castors that retract when weight is applied;
- Max. Load: 150Kg; TUV/GS certified.

**6300 TWIN STEEL Stepstool**  
Metal Stepstool



Colours:

- 6300-1  
Black  
Ral 9005
- 6300-4  
Red  
Ral 3020
- 6300-5  
Blue  
Ral 5005
- 6300-9  
Light Grey  
Ral 7035
- 6300-7  
Basalt Grey  
Ral 7035
- 6300-2  
White  
Ral 9016
- 6300-3  
Yellow  
Ral 1003
- 6300-10  
Green  
Ral 5018



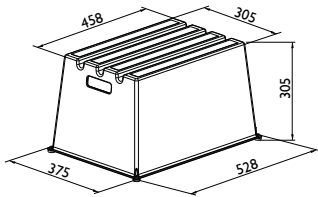
- Tolerates heavy use without losing its looks:
- dent-proof;
- scratch-proof;
- rust-proof;
- Mobile on 3 spring loaded castors that retract when weight is applied;
- Strong powder coated steel construction;
- Steps feature non-slip rubber mats;
- Rubber ring foot, durable and stable;
- Max. Load capacity: 150Kg; TUV/GS certified.



# Heavy Duty Safety Steps



## 6600 TWIN Heavy Duty Safety Steps, 1-Step



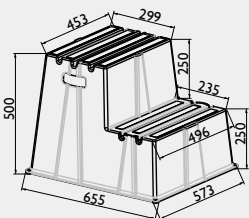
- Material: UV stabilized HDPE;
- With anti-slip strips and feet;
- Resistance to most chemicals;
- Max. Load: 230Kg;
- TUV/GS certified;
- Also comply with American standard (Extra Heavy Duty rating) and Australian standard (Industrial duty rating)

### Colours:

<b>6600-3</b> Yellow Ral 1003	<b>6600-4</b> Red Ral 3000	<b>6600-5</b> Blue Ral 5002
-------------------------------------	----------------------------------	-----------------------------------



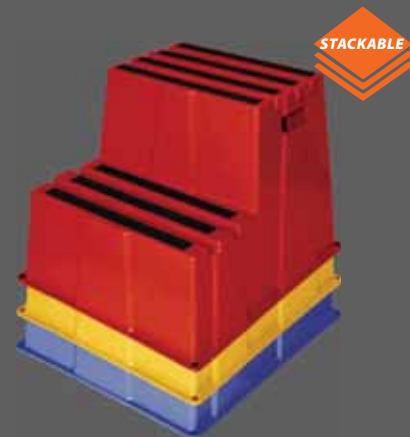
## 6700 TWIN Heavy Duty Safety Steps, 2-Step



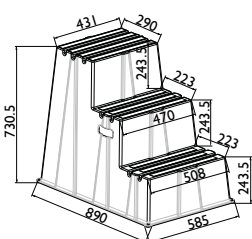
- Material: UV stabilized HDPE;
- With anti-slip strips and feet;
- Resistance to most chemicals;
- Max. Load: 230Kg;
- TUV/GS certified;
- Also comply with American standard (Extra Heavy Duty rating) and Australian standard (Industrial duty rating)

### Colours:

<b>6700-3</b> Yellow Ral 1003	<b>6700-4</b> Red Ral 3000	<b>6700-5</b> Blue Ral 5002
-------------------------------------	----------------------------------	-----------------------------------



## 6800 TWIN Heavy Duty Safety Steps, 3-Step



- Material: UV stabilized HDPE;
- With anti-slip strips and feet;
- Resistance to most chemicals;
- Max. Load: 230Kg;
- TUV/GS certified;
- Also comply with American standard (Extra Heavy Duty rating) and Australian standard (Industrial duty rating)

### Colours:

<b>6800-3</b> Yellow Ral 1003	<b>6800-4</b> Red Ral 3000	<b>6800-5</b> Blue Ral 5002
-------------------------------------	----------------------------------	-----------------------------------

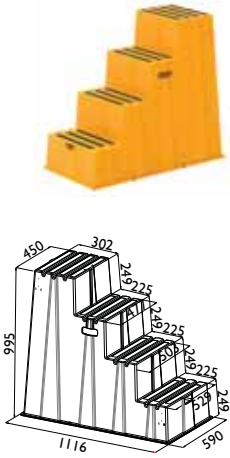


# Heavy Duty Safety Steps



## 6900 TWIN Heavy Duty Safety Steps - 4 Step

Colours:



- Material: UV stabilized HDPE;
- Safe to use. With anti-slip strips and feet;
- Resistance to most chemicals;
- Sturdy and Reliable. Max. Load: 230Kg;
- TUV/GS certified;
- Also comply with American standard (Extra Heavy Duty rating) and Australian standard (Industrial Duty rating)



## 6910 TWIN Mobile Heavy Duty Safety Steps, 4-Step

Model 6900 with wheels



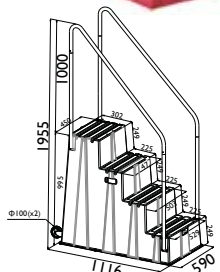
- High quality silence wheels;
- Wheels Size: 100xB30 mm;
- Quiet & Smooth operation;
- Protect your floors;
- Easy to install;
- Convenient and Easy to Use.



## 6920 TWIN Mobile Heavy Duty Safety Steps with Handrails, 4-Step

Model 6900 with handrails and wheels

Optional cross bar

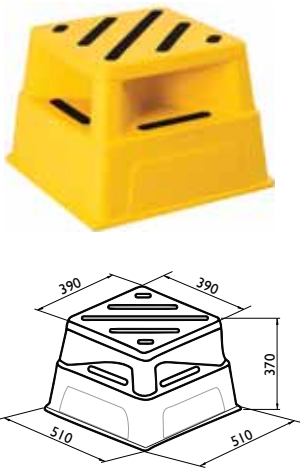


- Fall Prevention; Durable and easy grab metal handrails for extra safety and support;
- Convenient and Easy to Use: Mounted 2 high quality casters for portable use;
- Sturdy and Reliable. Chemical and UV resistant;
- Easy to be assembled. Handrails and wheels assembled with screws. screws kits included.
- Handrails and wheels are packed separately, convenient for pallet transportation.
- Comply with TUV/GS En14183 / American standard (Extra Heavy Duty rating) / Australian standard (Industrial Duty rating).



# Step ladder

## 6930 TWIN Heavy Duty Safety Steps



Colours:

6930-3 Yellow Ral 1003	6930-4 Red Ral 3000	6930-5 Blue Ral 5002
------------------------------	---------------------------	----------------------------



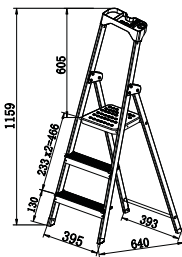
- Features 4-way access;
- With anti-slip strips and feet;
- Resistance to most chemicals;
- Comply with EN14183 standard;
- TUV/GS certified;
- Max. Load capacity: 230Kg;
- Stackable for space saving during transportation.

## 3028 TWIN Aluminum Step Ladder with Tools Tray

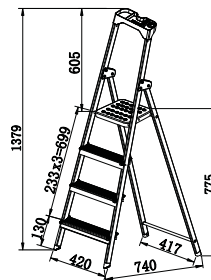
- Aluminum Step Ladder with tool tray;
- Galvanized steel for top step;
- Anti-slip rubber foot;
- Foldable for space saving;
- Comply with EN131 standard; TUV/GS certified;
- Max. loading capacity 150Kg.



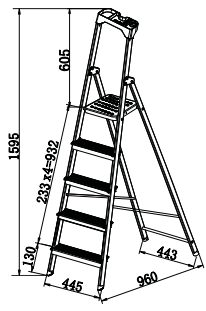
3028-3



3028-4

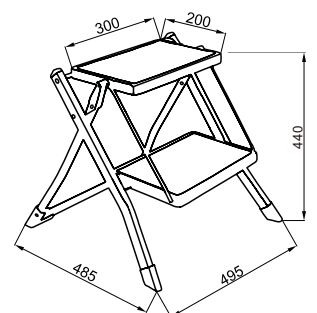


3028-5



## 2034 TWIN Steel Portable Step Ladder

- Powder coated Steel Step Ladder;
- Anti-slip plastic mats and rubber foot;
- Portable with handle;
- Foldable for space saving;
- Comply with EN131 standard;
- TUV/GS certified;
- Max. loading capacity 150Kg.





## 6400/6500-11 TWIN MINI 2-Step Ladder/2- Stufenleiter



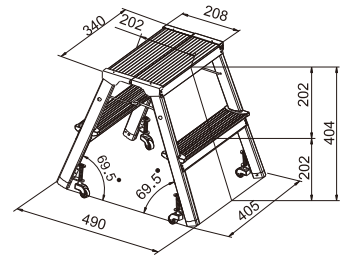
6400-11



6400-11-2

Colour: Aluminium  
Wheels: Mobile on 4 castors  
Max. Load: 150 kg

- Stable aluminum construction
- Mobile ladder with 2 steps and 4 steerable wheels . the ladder is collapsible , so that when not in use takes up minimal space .
- 6400-11: double access.
- 6400-11-2: single access.



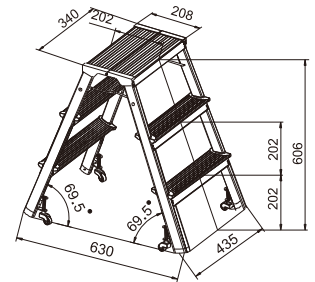
6500-11



6500-11-2

Colour: Aluminium  
Wheels: Mobile on 4 castors  
Max. Load: 150 kg

- Stable aluminum construction
- Mobile ladder with 3 steps and 4 steerable wheels . the ladder is collapsible , so that when not in use takes up minimal space .
- 6500-11: double access.
- 6500-11-2: single access.



## 2029/2030/2031/2061A/2061B TWIN STEEL Stålstige/Steel ladder/Stahlleiter

Colour: White/black  
Max. Load: 150 kg

### 2029/2030/2031 Steel ladder

Powder coated squared tubes and safety guard rail;  
Anti-slip rubber feet;  
Wide anti-slip steps (300x200mm).

### 2061A/2061B Steel ladder

Powder coated round tubes and safety guard rail;  
Anti-slip rubber feet included;  
Wide anti-slip steps (380x260mm);  
With soft poly foam handle.



2029



2030



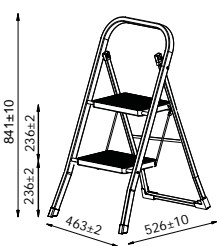
2031



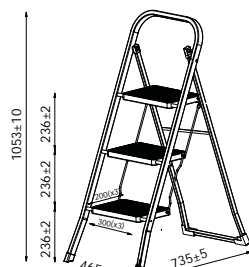
2061A



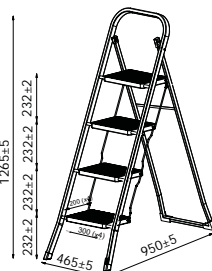
2061B



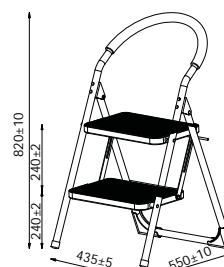
2029



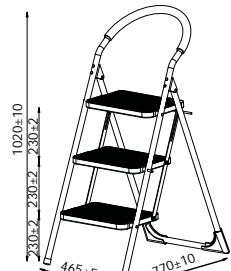
2030



2031



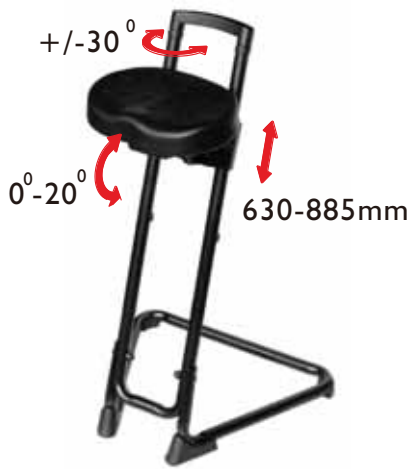
2061A



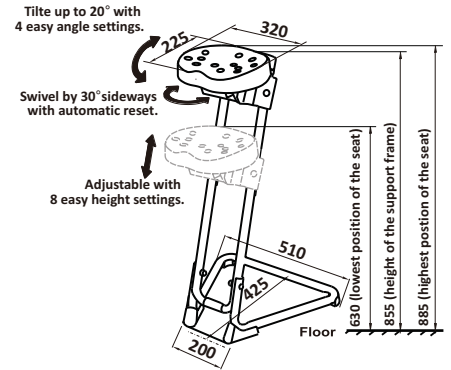
2061B

# Anti-fatigue Stool /Kunststofftritt, einstufig

## 6110 TWIN Anti-fatigue Stool /Anti-Fatigue-Hocker



- Seat made of robust, hardwearing PU foam;
- Power coated metal frame with 4 none-slip feet prevent sliding;
- Height adjustable from 630 to 885mm, 8 easy height settings;
- Seat can be swivelled by 30° sideways with automatic reset;
- Seat can be tilted by 20° with 4 easy angle settings.



## 6116 TWIN Foldable Anti-fatigue Stool /Anti-Fatigue-Hocker

- Seat made of foam covered with leather;
- Power coated metal frame with 4 none-slip feet prevent sliding;
- Seat size: 370x220mm; Back support size: 320x230mm;
- Height adjustable for both seat and seat back support;
- Adjustable height range: 530-830mm.

## 6113 / 6114 / 6117 / 6118 / 6119 TWIN Gas Lift Anti-fatigue Stool /Anti-Fatigue-Hocker

- Seat made of robust, hardwearing PU foam;
- Gas Lift height adjustment;
- Power coated metal frame;
- 4 none-slip feet prevent sliding;
- Cover for gas lift to protect against dust and dirt.

**6113:** Seat size: length 340, depth 210mm;  
Height Adjustable from 620 to 790mm.

**6114:** Seat size: length 330, depth 175mm;  
Height Adjustable from 630 to 800mm.

**6117:** Seat size: length 315, depth 220mm;  
Height Adjustable from 580 to 750mm.  
Adjustable seat inclination from 11° to 23°.

**6118:** Seat size: length 350, depth 240mm;  
Height Adjustable from 580 to 750mm.  
Adjustable seat inclination from 4° to 16°.

**6119:** Seat size: length 330, depth 230mm;  
Seat back support size: length 170, height 150mm  
Height Adjustable from 590 to 760mm.  
Adjustable seat inclination from 7° to 19°.



6113



6114



6117



6118

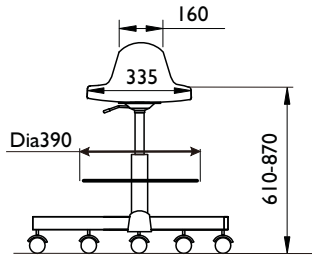


6119

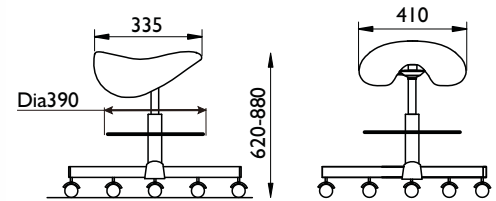
## 15008/15009/15018 TWIN Ergonomic Task Chair



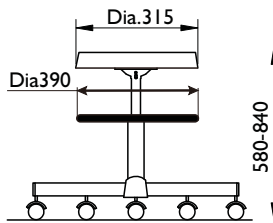
15008



15018



15009

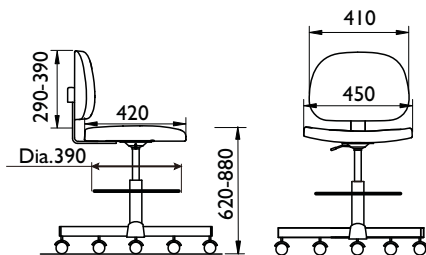


- Molded PU foam seat and back in black;
- BIFMA standard, Class 3 gas cylinder;
- Height adjustable stainless steel foot ring;
- Chromed steel base;
- 5 silence castors and gliders.

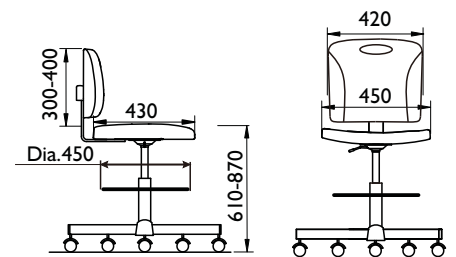
## 15003/15017/15019 TWIN Ergonomic Task Chair



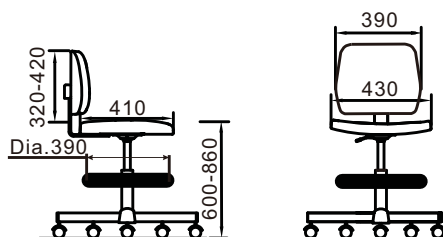
15003



15019



15017



- Molded PU foam seat and back in black;
- BIFMA standard, Class 3 gas cylinder;
- Height and angle adjustable back support;
- Height adjustable stainless steel foot ring;
- Chromed steel base;
- 5 silence castors and gliders.

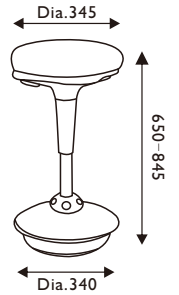
# Ergonomic Wobble Chair

## 6131 TWIN Ergonomic Wobble Chair

Colours: 6131-1 Black 6131-5 Blue  
6131-4 Red 6131-9 Grey



- High quality stool with excellent sitting comfort;
- Height-adjustable from 65 to 84.5 cm (Gas-lift mechanism);
- Ergonomically shaped and comfortable thick upholstered seat;
- 65 kg/m<sup>3</sup> density molded polyurethane foam;
- Durable and abrasion-resistant polyester fabric cover (210g/m<sup>2</sup>);
- Fitted with non-slip rubber on the bottom;
- Swing firm base could bear 120kg weight;
- The user has complete freedom of movement while seated.

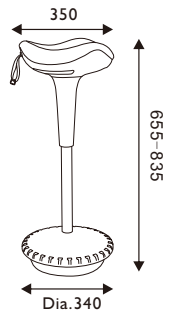


## 6156 TWIN Ergonomic Wobble Chair

Colours: 6156-1 Black 6156-5 Blue  
6156-4 Red 6156-9 Grey



- High quality stool with excellent sitting comfort;
- Height-adjustable from 65.5 to 83.5 cm (Gas-lift mechanism);
- Saddle seat design is more comfortable for changing posture with a wobble base than a common flat seat;
- 55 kg/m<sup>3</sup> density molded polyurethane foam;
- Fitted with non-slip rubber on the bottom;
- Non-slip base securely grips most floor surfaces;
- pull the strap from the front provide more convenience.
- Durable and abrasion-resistant polyester fabric cover (210g/m<sup>2</sup>).

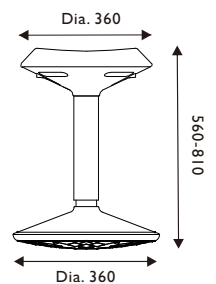


## 6139 TWIN Ergonomic Wobble Chair

Colours: 6939-1 Black 6939-5 Blue  
6939-4 Red 6939-9 Grey



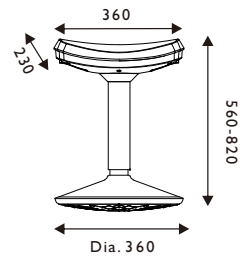
- Comfortable molded foam seat
- Seat covering fabric is made of high quality DARTEX of CA I 17 fire roof;
- High quality Samhonsa non-swivel class 4 cylinder in chrome finish;
- Durable Convex Active Base covered with anti-silp rubber;
- Robust ABS Top Frame, Tube and Bottom Frame;
- 3 side height adjustable auto reset button provides super tactile feeling and convenient use.



## 6137 TWIN Height Adjustable Wobble Stool

Colours: 6137-1 Black 6137-9 Grey  
6137-5 Blue/White

- Comfortable molded foam (Thickness 50mm) seat ;
- Seat covering fabric is made of high quality DARTEX of CAI 17 fire proof;
- High quality Samhonsa non-swivel class 4 cylinder in chrome finish;
- Durable Convex Active Base covered with anti-slip rubber;
- Robust ABS Top Frame, Tube and Bottom Frame;
- Big lifting button provides super tactile feeling and convenient use.

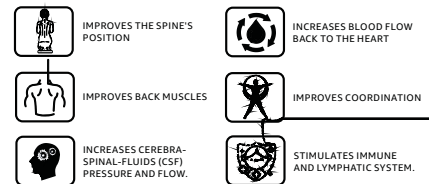


## 61516 / 61517 TWIN ACTIVE Wobble Stool - H14" / 17.75"

Colours:



- Soft EVA cushion on top;
- Orthopedic massage effect;
- Rubberized, non-slip bottom;
- Child safe, durable HDPE material.



61516-1



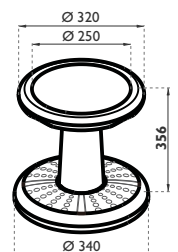
61516-4



61516-5



61516-10



Height: 14"



61517-1



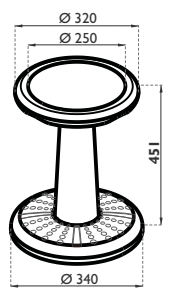
61517-4



61517-5



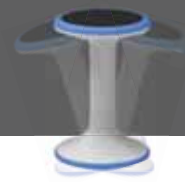
61517-10



Height: 17.75"



# Ergonomic Wobble Chair



## 6160 TWIN Active Wobble Stool

### Colours:

-2 White Ral 9016	-4 Red Ral 3026	-5 Blue 2132 C	6200-9 Light Grey Ral 7012	-10 Green Pantone 7466C	-15 Mustard Pantone 389C
-------------------------	-----------------------	----------------------	----------------------------------	-------------------------------	--------------------------------

12" / 15" / 18" / 21"

4 heights settings



6160-2-9



6160-4-9



6160-10-9



6160-15-9



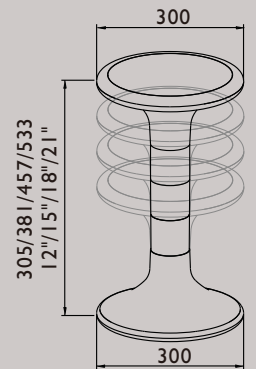
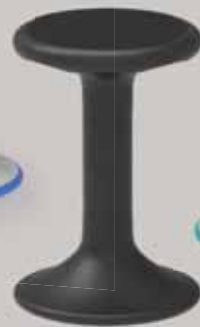
EPDM Pad  
Lycra fabric  
surface



Anti-Slippery  
Rubber Base



Customized  
colors  
available



Domed  
Cushion

## 6161 TWIN Active Wobble Stool - With Domed Cushion



Flat  
Cushion

## 6162 TWIN Active Wobble Stool - With Flat Cushion



- Adjustable seat height between 12 and 21 inches.
- Integrated handles for easy carrying, even for smaller children.
- Tamper-proof height adjustments to prevent distractions.
- Angled base for improved posture, balance and stability.
- Soft, extra-thick cushion provides comfort and support for all-day use.

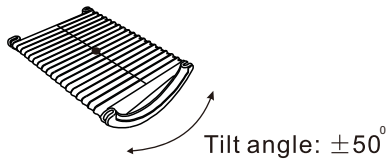
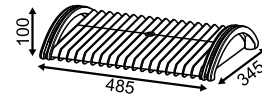
Home of the original Ergonomic footrest

### 3161 TWIN TURN® Footrest

Colours: 3161-1 Black  
3161-9 Grey

Reg. design: MR 2002 00822

- TWIN TURN® with two benefits:
  - One for stepless tilt support
  - A second with fixed support
- Room to move your feet

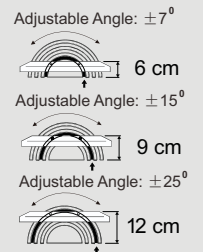
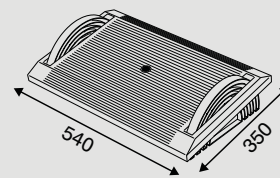


### 3111 TWIN ACTIVE Fodstøtte/ Footrest



Colours: 3111-1 Black  
3111-5 Blue  
3111-9 Grey

Reg. design:  
MR 1995 0662

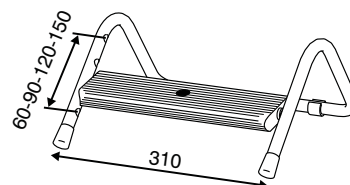


### 3131 TWIN FORM Footrest



Colour: 3131-1 Black

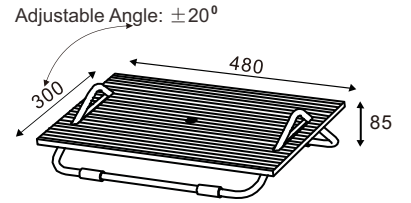
- Chromed metal frame
- Polystyrene footpad
- 4 non-slip feet prevent sliding
- Adjust angle by pressing lightly with your feet
- Easy adjusted to 4 different heights
- Easy to clean, easy to move



**3121 TWIN ERGONOMIC Footrest**



- Colour: 3121-I Black
- Chromed metal frame
  - Polystyrene footpad
  - 4 non-slip feet prevent sliding
  - Adjust angle by pressing lightly with your feet
  - Easy to clean, easy to move

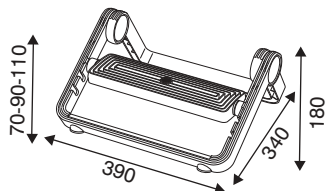


**3151 TWIN PLUS Footrest**



- ← 11 cm
- ← 9 cm
- ← 7 cm

- Colour: 3151-I Black
- Strong and steady
  - 3 easy height settings
  - 4 non-slip feet prevent sliding
  - Angle will follow the movement of your feet

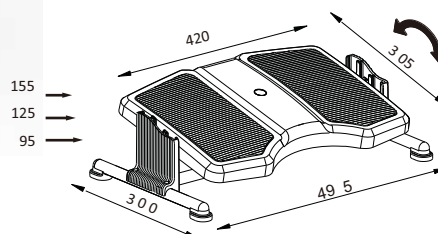


**3181 TWIN Professional Footrest**



Colour: 3181-I Black

- Features 3 easy height setting mechanism;
- Foot-activating pivot provide perfect rotation force for foot exercise.
- Board made of robust plastic with anti-slip and massage strips;
- Sturdy power coated tubular steel construction;
- 4 none-slip rubber feet prevent sliding and make the construction very stable;
- Curved in angle to accommodate the chair and still sit close to the desk.





### 3171 TWIN Anti-Fatigue Footrest

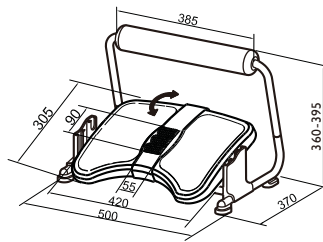


3171-1

- Extra Load Weight & More Strong: The product can weigh up to 70 kg . Heavy duty sturdy powder coated steel construction and;
- High quality ABS board and 4 none-slip rubber feet prevent sliding; Strong and Stable.
- Multifunction: The footrest can not only massage but also add foam bar to make the legs more comfortable;
- Easy to use: Height adjustable, 3 easy height settings; Adjust angle by pressing your feet with perfect resistance; Ultimate comfortable and supportive footrest.



3171-9



### 3191 TWIN RELAXING Footrest



3191-1

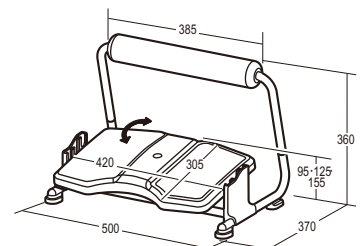
- Not only for foot exercise, but also for relaxing the legs;
- Features 3 easy height setting mechanism;
- Foot-activating pivot provide perfect rotation force for exercise;
- Board made of robust plastic with anti-slip and massage strips;
- Sturdy power coated tubular steel construction;
- 4 none-slip rubber feet prevent sliding and make the construction very stable;
- Curved in angle to accommodate the chair and still sit close to the desk.



3191-9



Rotation resistance system provide perfect force when swiveling.





## 3186 TWIN Pro Gas lift Footrest



- **Hands Free Automatic Lifting system**  
Change height positions with effortless foot adjustment. No need to operate by hand. Allow you to go for the perfect height in seconds. It features a smoother pneumatic lifting system with a button-type height control, that can be operated with foot, allowing for easy and quick height adjustment.
- **Large Infinitely Height Range**  
Large adjustable height range, from 80 mm to 300mm.
- **Free or stationary angle adjustment**  
Platform can be fixed in any position from 0 to 40° or free for tilting adjustment according foot pressure on the plate. Experience precise ergonomics with dynamic, free movement or stationary support across multiple postures.
- **High load capacity**  
Max. load capacity 100 kg.
- **Multi-Function**  
people can also use the footrest as a laptop table / a chair / a stepstool etc.



## 3186P - TWIN Pro Gas lift Footrest with Soft Pad

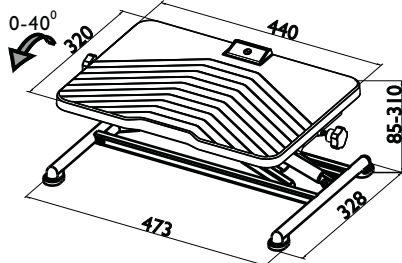
Soft Pad



- Comes with a soft pad top for soft supportive comfort.
- Interchangeable magnetic tops let you swap to a different material easily.
- Let you customize your sitting experience further — choose from different options to suit your preferences.
- With high friction underside, the soft pad won't slide easily.
- Things are easy to clean and not easily stained

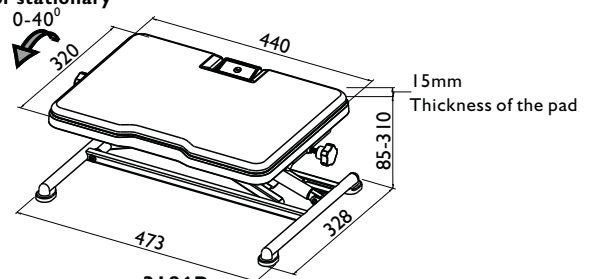


Dynamic or stationary



3186

Dynamic or stationary



3186P

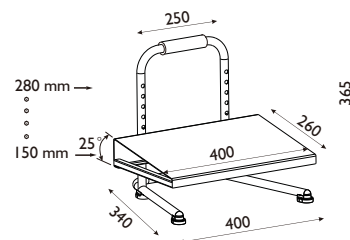
15mm  
Thickness of the pad

## 3172 TWIN PORTABLE Footrest

Colour: 3172-1 Black



- Foot board made of robust and durable steel;
- Foot board covering is anti-slip and hardwearing felt pad;
- Heavy duty sturdy powder coated steel construction;
- Handle is covered with soft foam for comfort use;
- 4 none-slip rubber feet prevent sliding; Strong and Stable;
- Big range of height adjustment, 6 easy height settings.

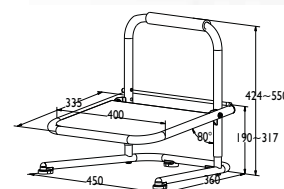


## 3173 TWIN RELIEF Footrest

Colour: 3173-1 Black



- Not only for foot exercise, but also for relaxing the legs;
- Foot board made of robust and durable steel;
- Foot board covering is anti-slip and hardwearing felt pad;
- Heavy duty sturdy power coated steel construction;
- The bar for resting of legs is covered with soft foam and abrasion-resistant leather;
- 4 none-slip rubber feet prevent sliding; Strong and Stable;
- Big range of height adjustment, 8 easy height settings.

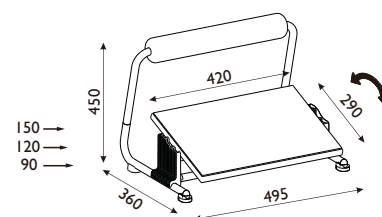


## 3183 / 3193 TWIN ERGO PLUS Footrest

Colour: 3183-1 Black



- Foot board made of robust and durable steel;
- Foot board covering is anti-slip and hardwearing felt pad;
- Heavy duty sturdy powder coated steel construction;
- 4 none-slip rubber feet prevent sliding; Strong and Stable;
- Height adjustable, 3 easy height settings;
- Adjust angle by pressing your feet with perfect resistance;
- Unique rotation resistance system provide perfect force when swiveling by feet.



## 3184 3185 TWIN Foam Pad Footrest



3184



3185



Soft polyester fabric



3184A

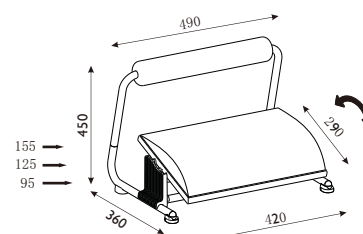


3185A



3 easy height setting

- Ultimate comfortable and supportive footrest;
- Heavy duty sturdy powder coated steel construction;
- 4 none-slip rubber feet prevent sliding; Strong and Stable;
- Height adjustable, 3 easy height settings;
- Adjust angle by pressing your feet with perfect resistance;
- Unique rotation resistance system provide perfect force when swiveling by feet.
- Premium high density memory foam which will easily conform to the shape of any size feet.



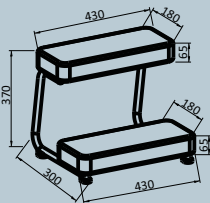
**3194 / 3195 / 3196 / 3197 / 3198 / 3199**  
**TWIN Multi-functional Footrest**



- Ultimate comfortable and supportive footrest;
- Premium high density foam with faux leather covering.;
- Faux Leather has good soft elasticity, abrasion resistance and scratch resistance;
- Adjust angle by pressing your feet with perfect resistance;
- Unique rotation resistance system provide perfect force when swiveling;
- Heavy duty sturdy powder coated steel construction;
- 4 none-slip rubber feet prevent sliding; Strong and Stable;
- Height adjustable, 3 easy height settings.

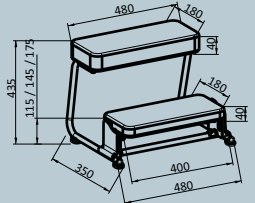
**3194**

Colour: 3194-1 Black  
 3194-2 Light Grey



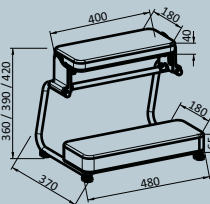
**3195**

Colour: 3195-1 Black  
 3195-2 Light Grey



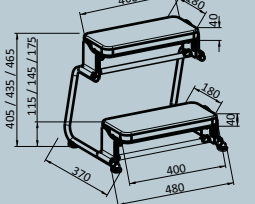
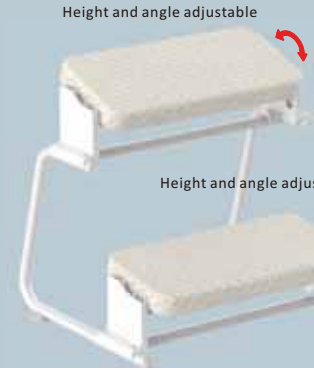
**3196**

Colour: 3196-1 Black  
 3196-2 Light Grey



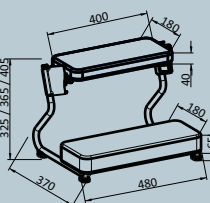
**3197**

Colour: 3197-1 Black  
 3197-2 Light Grey



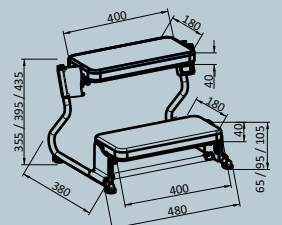
**3198**

Colour: 3198-1 Black  
 3198-2 Light Grey



**3199**

Colour: 3199-1 Black  
 3199-2 Light Grey



4100 TWIN Versatile Ball Chair



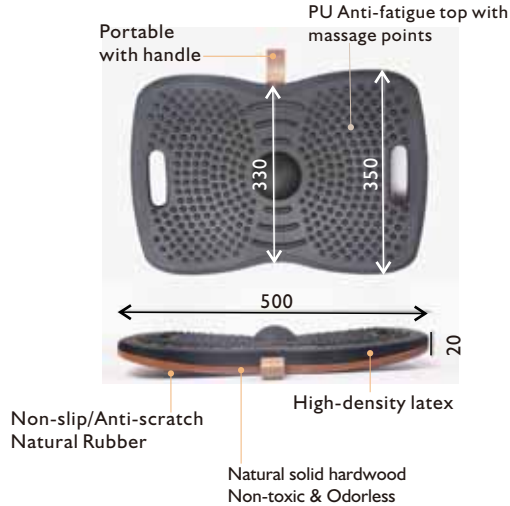
- Versatile: Simply use the ball as a chair replacement or integrate it with a variety of efficient yoga exercises;
- Stable and Safe: Anti-burst technology with smart honeycomb structure that prevent bursting of the environmentally friendly material;
- The ball chair is designed for a maximum user weight of 250 lb;
- Removable Cover: Easily cleanable and durable fabric cover can be easily removed for washing, ensuring easy maintenance and prolonged usage;
- Package Including: 1x inflator, 1x Cover, 1x PVC Ball, 1x Valve Core, 1x Manual.



3192 TWIN Anti-Fatigue Balance Board



- Smart, ergonomic design: Our standing balance board slides under your desk at home or at work to let you tilt, lean, and remain steady with an 8.5° tilting angle;
  - Non-skid standing surface: Each stability rocker is made with natural hardwood, an anti-slip pure PU layer to keep feet in place, and an anti-scratch rubber base;
  - Trigger point foot massage: The top of our fitness balance board features textured pressure points that gently massage away soreness to keep feet feeling energized.
- Portable accessory: Easy to carry;  
Non-toxic & Odorless.





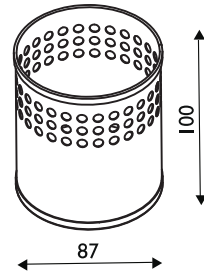
**Waste Bins/ Papierkorb  
Penneholder/Pen Holders/ Stifteköcher**

2017 TWIN METAL Penholder/Pen Holder/ Stifteköcher



Colours: 2017-1 Black  
2017-8 Silver  
Height: 100 mm  
Dia: 87 mm

- Elegant in metal colours
- Stable pen holder in a nice design and good quality

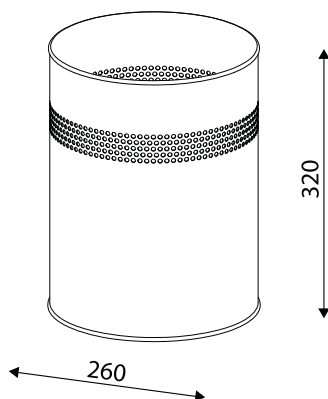


2010 TWIN METAL Waste Bin 15 L



Colours: 2010-1 Black  
2010-8 Silver  
Capacity: 15 L  
Height: 320 mm  
Dia: 260 mm

- Elegant in metal colours
- Stable waste bin in a nice design and good quality

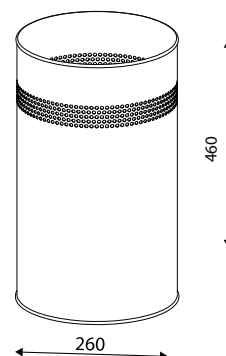


## Waste Bins/ Papierkorb PenHolders



### 2040 TWIN METAL Waste Bin 21 L

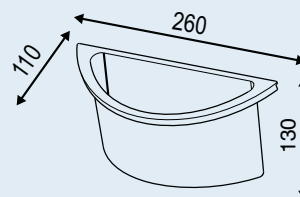
- Colours: 2040-1 Black  
2040-8 Silver
- Capacity: 21 L  
Height: 460 mm  
Dia: 260 mm
- Elegant in metal colours
  - Strong and stable



### 2060 TWIN METAL Waste Separator

- Colour: 2060-1 Black  
Height: 130 mm

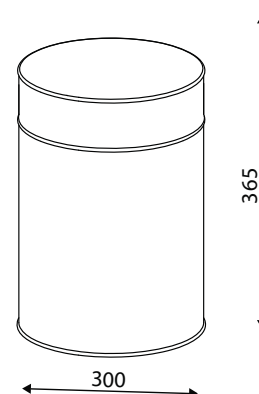
- Insert for separating materials other than recycling paper
- The insert is easily placed in the Waste Bin
- Easy to clean
- Package contains 6 pcs.
- Fits 2010 + 2040



### 2080 TWIN METAL Waste Bin 20 L

- Colours: 2080-1 Black  
2080-2 White  
2080-8 Silver
- Capacity: 20 L  
Size: 365 mm  
Dia: 300 mm

- Package contains 6 pcs.
- Elegant in metal colours
- Strong and stable





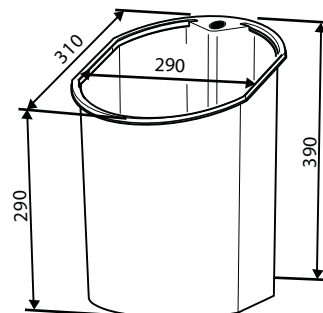
## 2000 TWIN HIT® Waste Bin

Colours: 2000-I Black

Capacity: 15 L

L: 290 mm,  
D: 310 mm,  
H: 290/390 mm

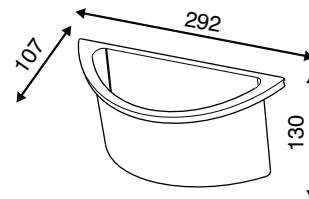
- Package contains 6 pcs.
- TWIN HIT® is angled - so it is easy to hit
- TWIN HIT® has a bag holder - so the bag stays in place
- TWIN HIT® it is easy to change the bag - and more hygienic for the cleaners



## 2050 TWIN HIT® Indsats/ Waste Separator

Colour: 2050-I Black  
Height: 130 mm

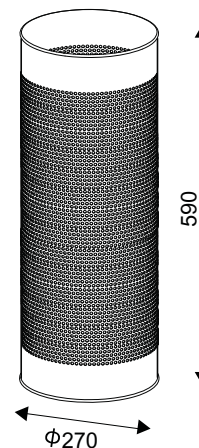
- Insert for separating materials other than recycling paper
- The insert is easily placed in the Waste Bin
- Easy to clean
- Package contains 6 pcs.
- Fits 2000 TWIN HIT®



## 2090 TWIN METAL Umbrella Stand

Colour: 2090-8 Silver  
Capacity: 28,5 L  
Height: 590 mm  
Dia: 270 mm

- Metal umbrella stand with decorative perforation
- With epoxy polyester coating and rubberring

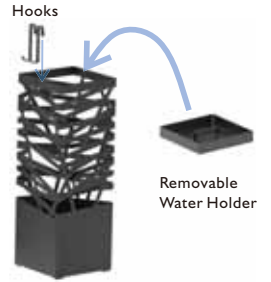


# Waste Bins / Umbrella Holders

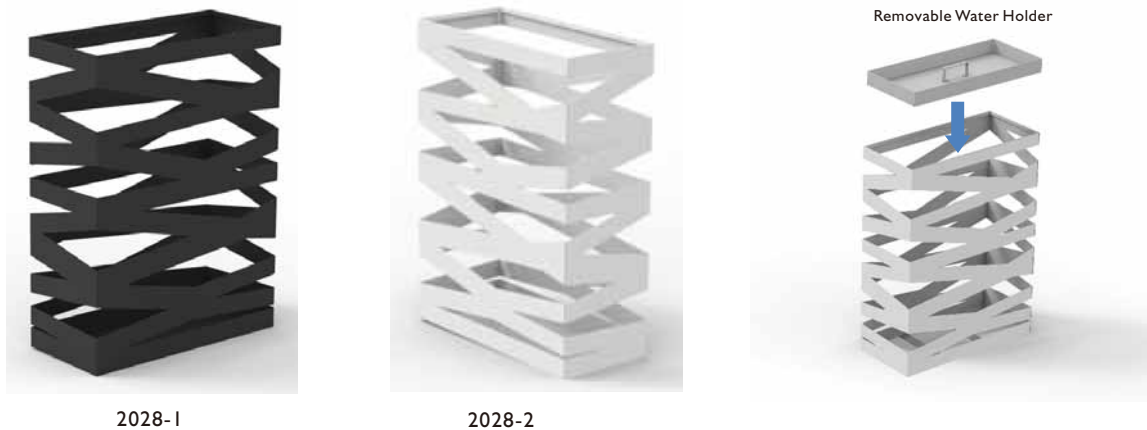
## 2025 / 2026 / 2027 TWIN Artistic Umbrella Holder



Size: 150x150x430 mm;  
Material: Powder coating steel;  
Colours: Black / White



## 2028 TWIN Umbrella Holder



Length: 330 mm;  
Width: 150 mm;  
Height: 450 mm;  
Material: Powder coating steel;  
Colours: Black / White

## TWIN Fire Self-Extinguishing Wastebin



Colours:	2020-1 Black	2021-1 Black	2022-1 Black
	2020-2 White	2021-2 White	2022-2 White
	2020-8 Silver	2021-8 Silver	2022-8 Silver

- ÿ Round waste basket with fire-extinguishing lid for preventive fire protection;
- ÿ Self-extinguishing lid cuts off the oxygen supply and thus quenches the flames;
- ÿ Comply with TUV/GS standard;
- ÿ Made from steel with a scratch-proof, epoxy resin coating.

NO.	1	2	3
Model NO.	2020	2021	2022
Volume (L)	15	20	30
Diameter x Height	260 x 350	260 x 430	300 x 510
Opening	110	110	110



**Snapframes / Plakatraahmen**

**Mobile Whiteboard**

**Flip Chart / Flipchart**

**Whiteboard**

**Cork board / Kork board**

**Felt board / Filz board**

**Glass Whiteboard / Glas Whiteboard**

**Flip Chart with glass whiteboard / Flipchart mit glas whiteboard**

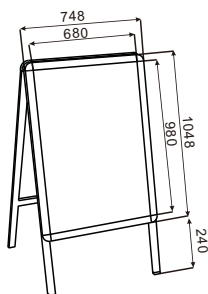
**Mobile Glass Whiteboard / Mobile Glas Whiteboard**

# AGENDA for elegant presentations

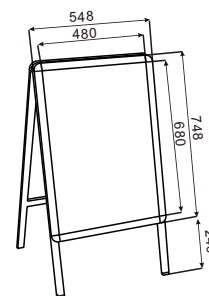
## 5330 & 5331 TWIN AGENDA A Boards



**5330**  
A Board, 70x100  
Colour: 5330-11 Alu.  
Alu frame, 32 mm wide



**5331**  
A Board, 70x50  
Colour: 5331-11 Alu.  
Alu frame, 32 mm wide



## 5366 TWIN Mobile Water Base Poster Frame



- Aluminum Snapframe;
- Poster Frame Size: A1, 840x594mm, double sides;
- Base size: 785x490x160mm;
- Base capacity: 23L water or sand for stability;
- With two wheels on the bottom and a handle for portable use.

Container cap



Handle



2 wheels on the bottom



5366-8



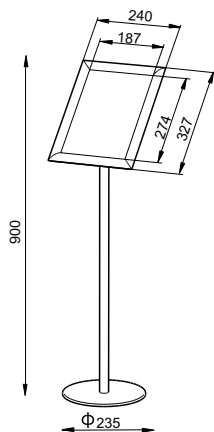
5366-1

## 5175 TWIN AGENDA A4 & 5176 TWIN AGENDA A3 Literature Display with snapframe



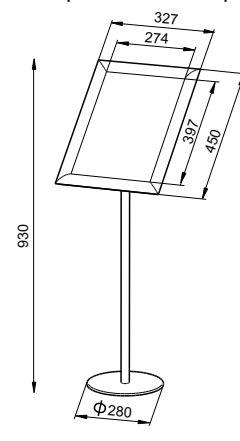
Colour: 5175-8 Silver  
Format: A4  
W: 252 mm  
H: 900 mm  
D: 235 mm

- Showcase your message
- Snapframe for easy replacement
- This sign is easily rotated from portrait to landscape



Colour: 5176-8 Silver  
Format: A3  
W: 340 mm  
H: 930 mm  
D: 280 mm

- Showcase your message
- Snapframe for easy replacement
- This sign is easily rotated from portrait to landscape



## AGENDA Snaprammer/ Snapframes



**5312**  
Snapframe, A3  
Colour: 5312-11 Alu.  
Aluminum frame, 25 mm wide  
W:343 mm D:11,5 mm H:465 mm



**5310**  
Snapframe, A5  
Colour: 5310-11 Alu.  
Aluminum frame, 25 mm wide  
W:193 mm D:11,5 mm H:253 mm

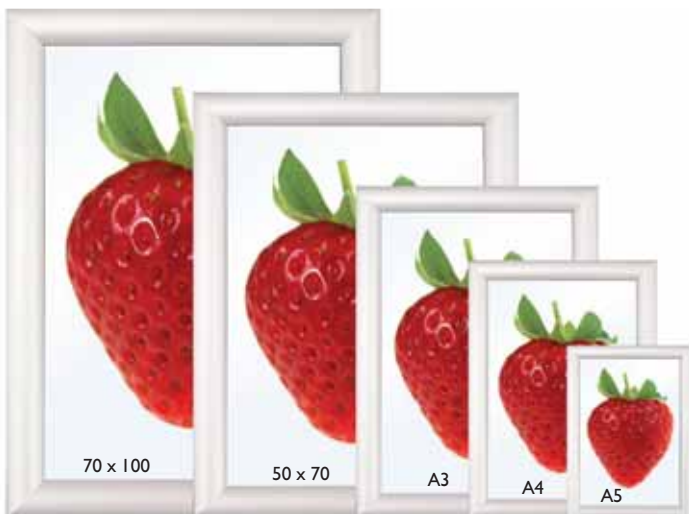


**5311**  
Snapframe, A4  
Colour: 5311-11 Alu.  
Aluminum frame, 25 mm wide  
W:255 mm D:11,5 mm H:340 mm

**5320**  
Snapframe, 70 x100  
Colour: 5320-11 Alu.  
Aluminum frame, 32 mm wide  
W:760 mm D:18 mm H:1060 mm

**5321**  
Snapframe, 70x50  
Colour: 5321-11 Alu.  
Aluminum frame, 32 mm wide  
W: 560 mm D:18 mm H: 760 mm

## TWIN LIGHT Snaprammer/ Snapframes



Mitred corners /Eloxierter Alu-profil

**5352-11**  
Snapframe, A5  
Colour: 5310-11 Alu.  
Aluminum frame, 25 mm wide  
W:193 mm D:11,5 mm H:253 mm

**5342-11**  
Snapframe, A4  
Colour: 5342-11 Alu.  
Aluminum frame, 25 mm wide  
W:255 mm D:11,5 mm H:340 mm

**5343-11**  
Snapframe, A3  
Colour: 5343-11 Alu.  
Aluminum frame, 25 mm wide  
W:343 mm D:11,5 mm H:465 mm

**5320**  
Snapframe, 70 x100 B1  
Colour: 5320-11 Alu.  
Aluminum frame, 32 mm wide  
W:760 mm D:18 mm H:1060 mm

**5321**  
Snapframe, 70x50 B2  
Colour: 5321-11 Alu.  
Aluminum frame, 32 mm wide  
W: 560 mm D:18 mm H: 760 mm

# Whiteboard

## 5484 5485 5486 5487 Showcase /Vitrine



- Wall mounted;
- Dry erase, Magnetic surface;
- Aluminum frame;
- Acrylic door;
- With accessories and mounting kits

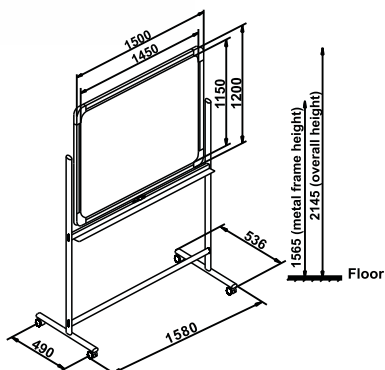
Size :		
5484	670x500 mm	4xA4
5485	670x720 mm	6xA4
5486	980x720 mm	9xA4
5487	1200x900 mm	12xA4

## 5467 5468 5469 TWIN Mobile Whiteboard

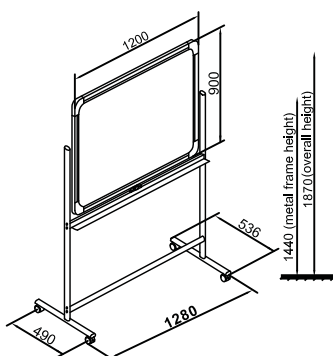


Double sided magnetic surface  
 Board 360° revolves and locks automatically  
 Four locking castors for easy mobility  
 large pen tray included

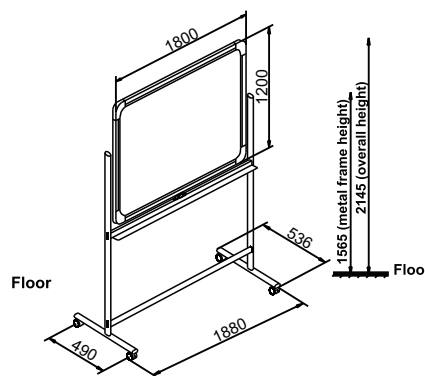
5467  
 Whiteboard: 1500x1200 mm  
 5468  
 Whiteboard: 1200x900 mm  
 5469  
 Whiteboard: 1800 x 1200 mm



5467



5468

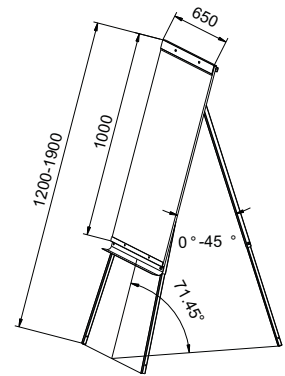


5469



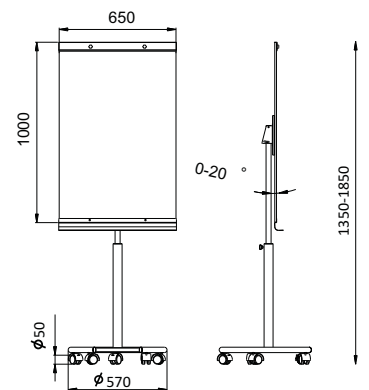
## 544 I TWIN Flip Chart/ Flipchart

Magnetic whiteboard with ABS frame. Adjustable paper clamp. Tripod metal stand in grey. Easy to assemble and adjustable height. Full length metal pen-tray. Whiteboard size: 650 x 1000



## 5442 TWIN Mobile Flip Chart

Magnetic whiteboard with ABS frame. Adjustable paper clamp. Mobile metal stand in grey. Five locking castors for easy mobility. Easy to assemble and adjustable height. Full length metal pen-tray. Whiteboard size: 1000 x 650 mm



# Whiteboards/ Kork board/Cork board/Kork board/ Felt Board/ Filz taflen

## TWIN Whiteboard



Coated steel sheet surface  
Magnetic surface  
Aluminum frame,  
ABS corner. Wall mounted  
Wall mounting kit included  
Pen tray

Size:  
5410-11: 600x450 mm  
5411-11: 900x600 mm  
5412-11: 1200x900 mm  
5414-11: 1500x1000 mm  
5415-11: 1800x900 mm  
5416-11: 1800x1200 mm



## TWIN Kork opslagstavle/Cork board/Kork board



Self-healing resilient cork  
For use with pushpins  
Wall mounting kit included

Size:  
5431-12: 600x450 mm  
5432-12: 900x600 mm  
5433-12: 1200x900 mm  
5434-12: 1500x1000 mm  
5435-12: 1800x900 mm  
5436-12: 1800x1200 mm



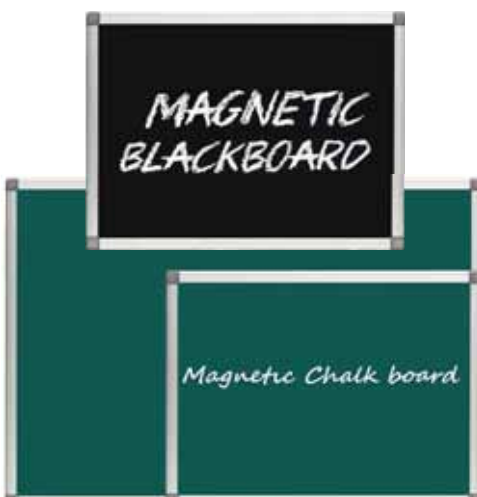
## TWIN Filt opslagstavle/ Felt Board/ Filz taflen



Popular aluminium framed felt noticeboards Smooth felt surface available in a choice of four colours. Perfect setting for enhancing your communication classic anodized aluminium frame Concealed wall fixings through plastic corners. Wall mounting kit included

5452 900 x 600 mm	5453 1200 x 900 mm
Colours	Colours
5452-9 Grey	5453 -9 Grey
5452-5 Blue	5453 -5 Blue
5454 1500 x 1000 mm	5459 1800 x 1200 mm
Colours	Colours
5454 -9 Grey	5459 -9 Grey
5454 -5 Blue	5459 -5 Blue

## TWIN Magnetic Lacquered Chalk board



Coated steel sheet surface  
Magnetic surface  
Aluminum frame,  
ABS corner. Wall mounted  
Wall mounting kit included  
Pen tray

5491 900x600 mm	5492 1200x900 mm
Colours	Colours
5491-1 Black	5492-1 Black
5491-10 Green	5492-10 Green
5494 1500x1000 mm	5496 1800x1200 mm
Colours	Colours
5494-1 Black	5496-1 Black
5494-10 Green	5496-10 Green

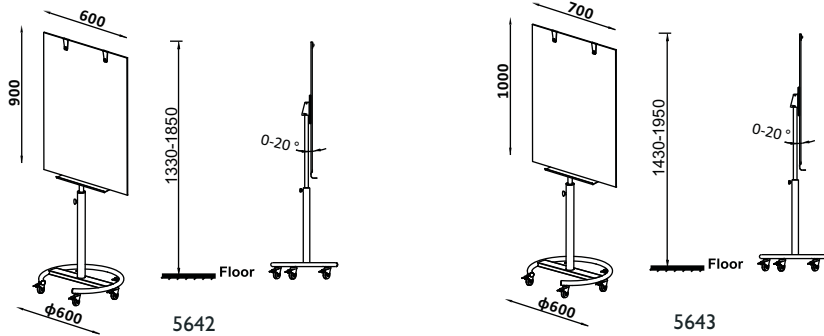


## TWIN Mobile Glass Flipchart/Mobile Glas-Flipchart



- Mobile, height adjustable stand with circular base.
- 4mm thickness tempered glass white board; Back side - Zink plated steel;
- Dry erase; Magnetic writing surface;
- Height adjustable; Angle adjustable;
- With paper hooks; With acrylic pen tray, magnets and eraser;
- 5 lockable and durable mute castors for easy stability.
- Flat pack in strong honeycomb carton; easy self assembly.

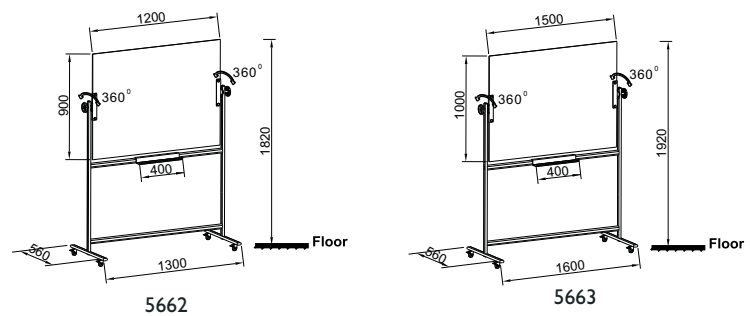
Size/Format: 5642 900x600 5643 1000x700



## TWIN Mobile Glass Whiteboard/Mobile Glas Whiteboard

- Heavy duty black power coated steel construction;
- 2PCS 4mm thickness tempered glasses with zink plated steel in the middle;
- 360 Degree rotation white board;
- Dry erase, Magnetic writing surface;
- With acrylic pen tray, magnets and eraser;
- Four lockable and durable mute castors for easy stability;
- Flat pack in strong honeycomb carton; easy self assembly.

Size/Format: 5662 1200x900 5663 1500x1000



# Glass Whiteboard/Glas-Whiteboard

## TWIN Glass Whiteboard/Glas-Whiteboard

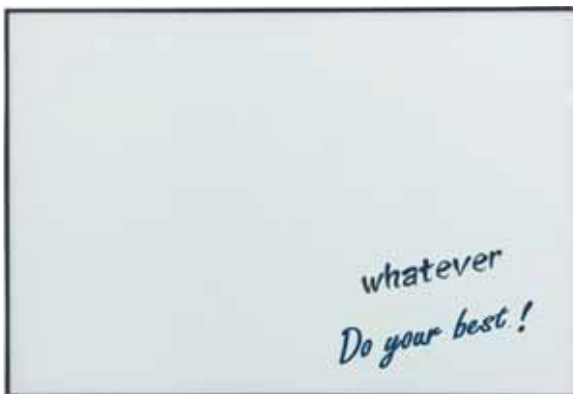


- 4mm tempered glass;
- Wall mounted;
- Dry erase, Magnetic surface;
- Back side - Zink plated steel.
- With acrylic pen tray;
- With accessories and mounting kits;
- Flat pack in strong honeycomb carton.

Size:

5608	1200x800	5614	1500x1000
5610	600x450	5615	2000x1000
5611	900x600	5616	2000x1200
5612	1200x900	5617	2400x1200

## TWIN Glass Whiteboard with frame/Glas Whiteboard mit Rahmen



- 4mm tempered glass;
- Black aluminum frame;
- Wall mounted;
- Dry erase, Magnetic surface;
- Back side - Zink plated steel.
- With aluminum pen tray;
- With accessories and mounting kits;
- Flat pack in strong honeycomb carton

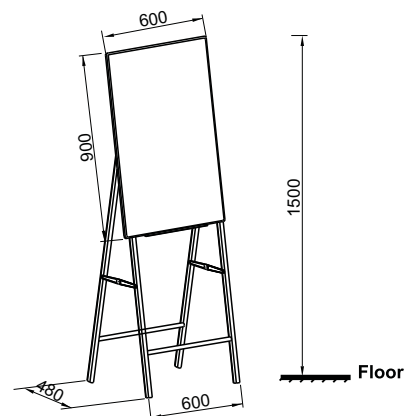
Size:

5621	900x600	5624	1500x1000
5623	1200x900	5625	2000x1000

## 5631 TWIN Flip Chart with Glass Whiteboard/Flipchart mit Glas Whiteboard



- A-type Stand Flipchart
- White board size: 900X600 mm;
- 4mm tempered glass;
- With black aluminum frame;
- Back side - Zink plated steel;
- Dry erase, Magnetic writing surface;
- With aluminum pen tray;
- With magnets and eraser;
- Flat pack in strong honeycomb carton.





**Literature Holders/ Bodenständeren**

**Acrylic Displays/ Acryl Prospekthalter**

**Belt Barrier systems/ Gurtpfosten mit ausziehbarem**

# AGENDA - For elegant presentations

## 5108 Wall mount

1/3 A4, 6 comp.  
Colour: 5108-8 Silver  
B: 115 mm D: 75 mm H: 775 mm

## 5109 Wall mount

A5/A6, 9 comp.  
Colour: 5109-8 Silver  
W: 165 mm D: 75 mm H: 780 mm

## 5110 Wall mount

A5, 9 comp.  
Colour: 5110-8 Silver  
W: 165 mm D: 75 mm H: 780 mm

## 5111 Literature Holder

Table model A4, 1 comp.  
Colour: 5111-8 Silver  
W: 230 mm D: 103 mm H: 275 mm  
Package contains 10 pcs.

## 5112 Literature Holder

Wall model, A4, 1 comp.  
Colour: 5112-8 Silver  
W: 230 mm D: 75 mm H: 252 mm  
Package contains 10 pcs.

## 5115 Table top revolving stand

A4, 9 comp.  
Colour: 5115-8 Silver  
D: 300/315 mm H: 550 mm

## 5120 Wall mount

A4, 15 comp. Wall fittings enclosed  
Colour: 5120-8 Silver  
W: 710 mm D: 75 mm H: 780 mm

## 5140 Wall mount

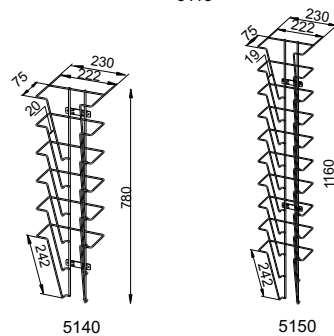
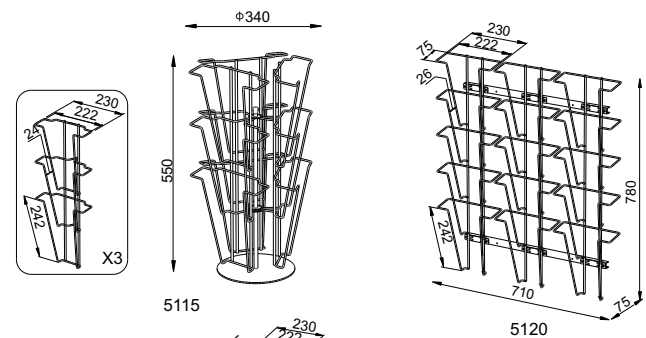
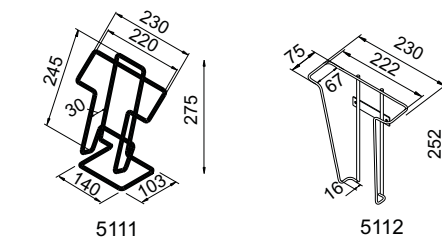
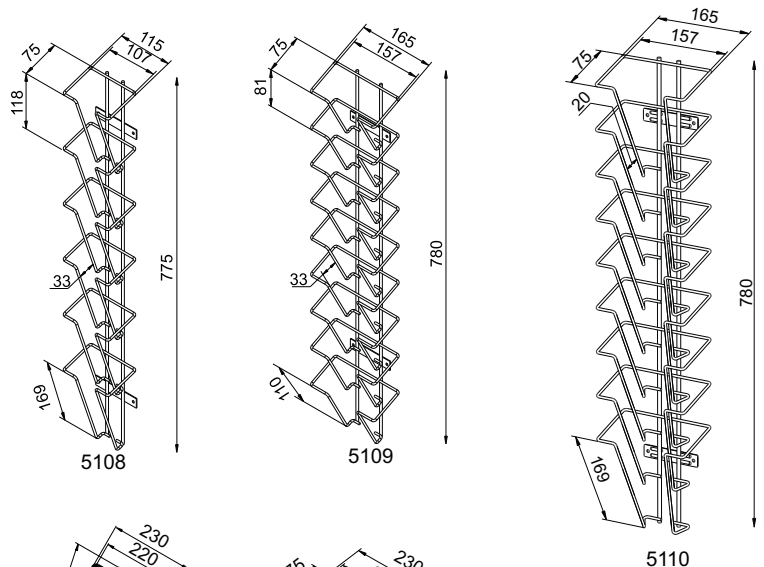
A4, 6 comp.  
Colour: 5140-8 Silver  
W: 235 mm D: 75 mm H: 780 mm

## 5150 Wall mount

A4, 10 comp.  
Colour: 5150-8 Silver  
W: 230 mm D: 75 mm H: 1160 mm

## 5190 Newspaperholder

Colour: 5190-8 Silver  
Wall model A3, 5 comp.  
W: 436 mm D: 75 mm H: 780 mm



# AGENDA - For elegant presentations



5110



5140



5150



5112



5111



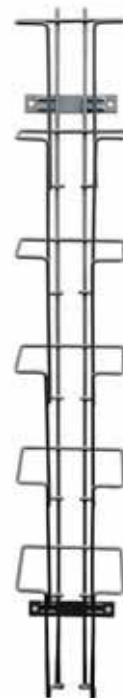
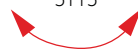
5190



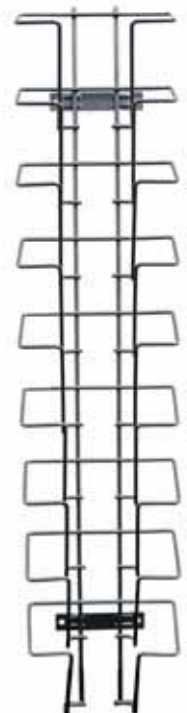
5120



5115



5108



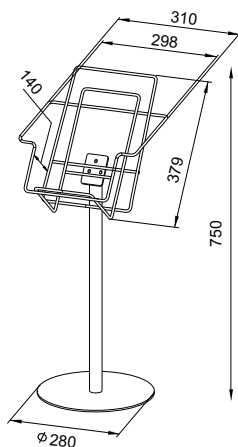
5109

# AGENDA Newspaper Stand/Zeitungshalter - Literature Holder/Prospekthalter

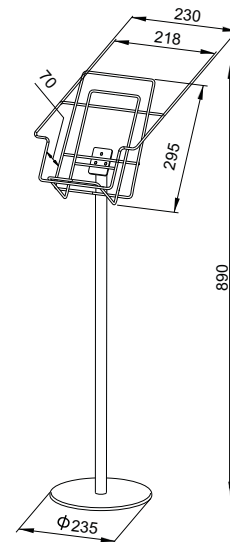
## 5180 & 5170 TWIN AGENDA TABLOID Avisstander/ Newspaper Stand/Zeitungshalter



- Colour: 5180-8 Silver
- Elegant in metal colour
  - Strong and stable
  - Showcase your message
  - Elegant in metal colour



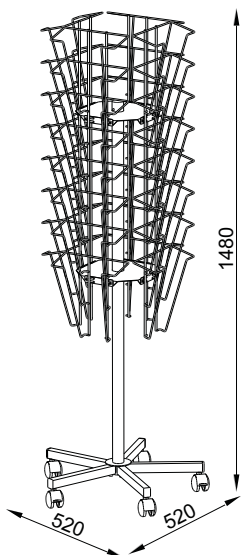
- Colour: 5170-8 Silver  
Format: A4, 1 comp.  
Space for 75 mm
- Showcase your message
  - Elegant in metal colour
  - Strong and stable



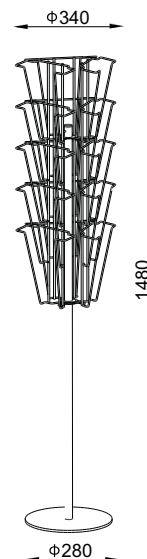
## 5130 & 5135 TWIN AGENDA Literature HolderProspekthalter



- Colour: 5130-8 Silver  
A4, 32 comp.
- Revolving floor stand
  - Elegant in metal colour
  - Strong and stable



- Colour: 5135-8 Silver  
A4 15 comp.  
D: 280 mm H: 1500
- Revolving floor stand



# AGENDA Newspaper Stand/Zeitungshalter - Literature Holder/Prospekthalter

## 5181, 5182, 5183, 5184 TWIN Brochure display stands

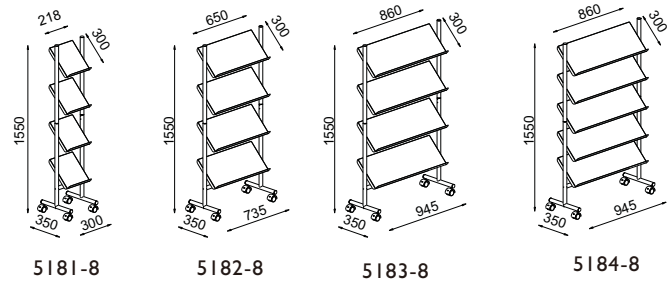


Colour: Silver

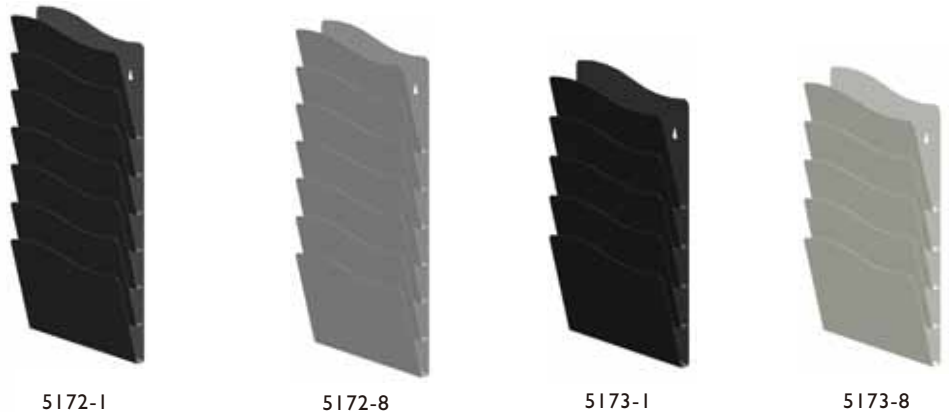
- Strong and stable
- Shelves at 45 angle
- 40mm stop edge to hold more documents
- Mobile on 4 lockable swivel casters



Model	5181	5182	5183	5184
Capacity	4 x A4	12 x A4	16 x A4	20 x A4



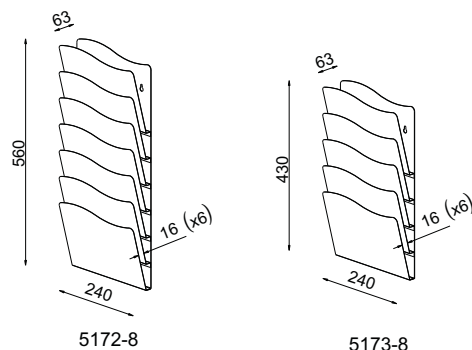
## 5172 & 5173 TWIN Brochure display holder



Colors: 5172-1 Black  
5173-1 Black  
5172-8 Silver  
5173-8 Silver

- Elegant in metal colour
- Strong and stable
- Showcase your message
- Wall mounting

Model	5172	5173
Capacity	7 x A4	5 x A4



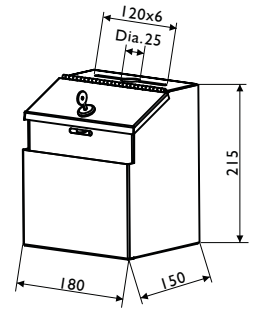
# Suggestion Box / Belt Barrier systems

## 521 I TWIN STEEL Letter Box /Suggestion Box

- Durable, black powder coat finish;
- Optional customized front panel sticker and suggestion cards;
- Wall mounting hardware included.



521 I-1



## 3200 TWIN Belt Barrier systems



3200-1



3200-3



3200-4



3200-13 Glittering Chrome



- Belt posts with pull-out tape belt;
- Robust post system with braked retraction;
- Powder coated or glittering Chromed metal post and base cover;
- Maximum belt extension length 2000mm; Belt width 50mm;
- Heavy cast iron base with anti-slip rubber pads on the bottom;
- 4-way system;
- Various colours' belts available.



## 3202 3203 TWIN Belt Barrier systems-Sign holder



3202-1



3202-13



3203-1



3203-13

- A4 format, portrait(3202) or landscape (3203);
- Chromed Plated or powder coated metal frame;
- Double sided acrylic plates;
- Suitable for TWIN belt barrier systems.







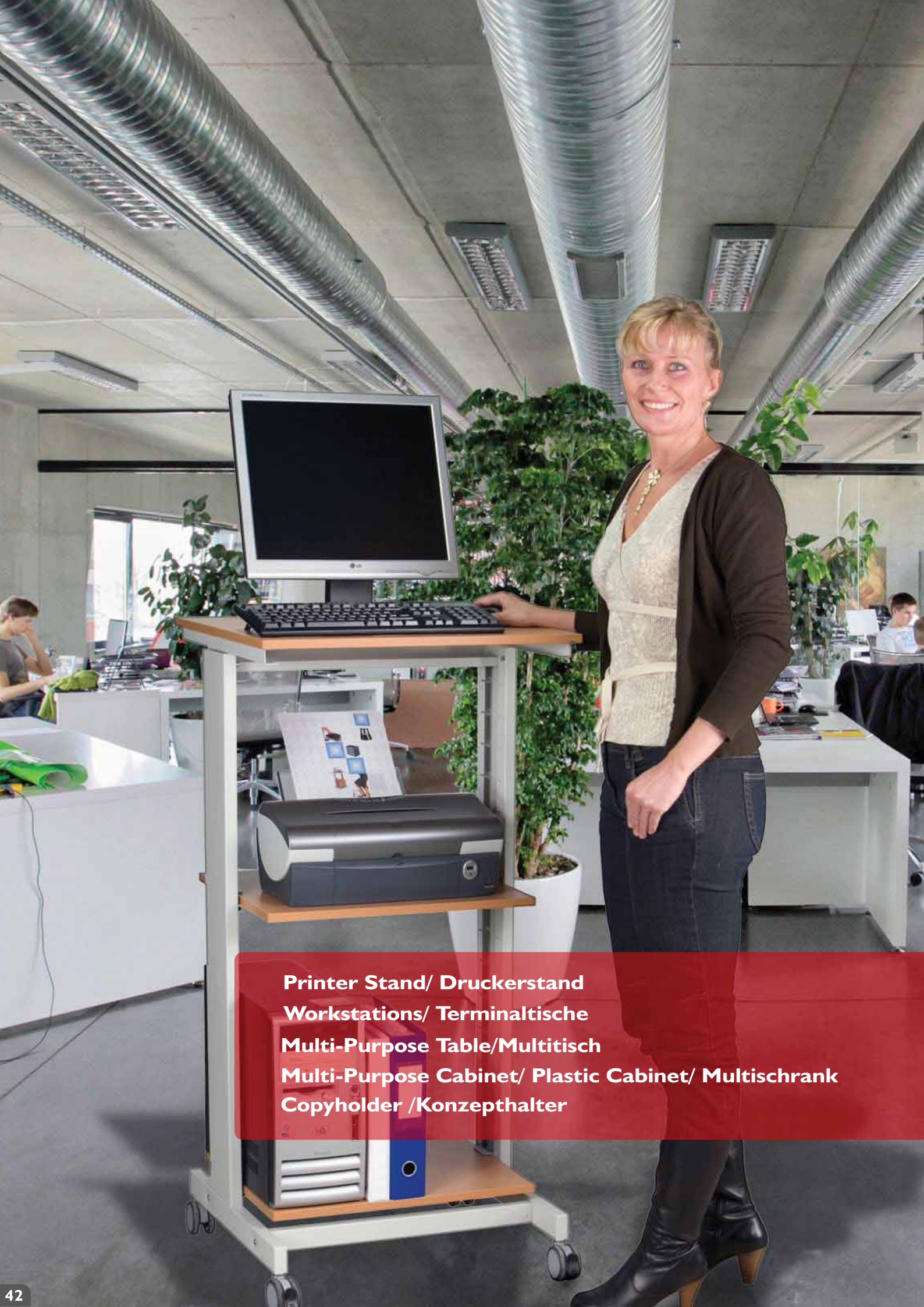
- 5809** Business Card Box  
Colour: 5809-7 Clear Acrylic
- 5810** Business Card L-Stand  
Colour: 5810-7 Clear Acrylic
- 5811** Acrylic Display A6, T-Stand  
Colour: 5811-7 Clear Acrylic
- 5812** Acrylic Display E65  
Colour: 5812-7 Clear Acrylic  
Wall/table model
- 5815** Acrylic Display A5, L-Stand  
Colour: 5815-7 Clear Acrylic
- 5816** Acrylic Display A5, T-Stand  
Colour: 5816-7 Clear Acrylic
- 5820** Acrylic Display A4  
Colour: 5820-7 Clear Acrylic  
Wall/table model
- 5821** Acrylic Display A4, L-Stand  
Colour: 5821-7 Clear Acrylic
- 5822** Acrylic Display A4, T-Stand V  
Colour: 5822-7 Clear Acrylic
- 5823** Acrylic Display A4, T-Stand H  
Colour: 5823-7 Clear Acrylic
- 5830** Acrylic Display A4, 3 Comp.  
Colour: 5830-7 Clear Acrylic  
Wall/table model
- 5831** Wall model A4, V  
Colour: 5831-7 Clear Acrylic
- 5832** Wall model A4, H  
Colour: 5832-7 Clear Acrylic



## 5826 TWIN Acrylic Brochures Rack/Acrylbroschüren Rack

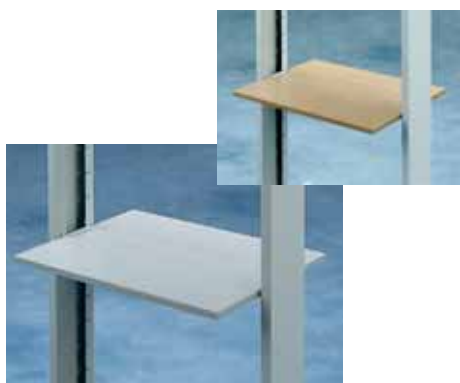


- Wall-mounted Brochures display holder;
- Clear Acrylic; Thickness 4mm;
- Height: 325 mm, Width: 250 mm, Depth: 60 mm;
- Screw kits included.



**Printer Stand/ Druckerstand  
Workstations/ Terminaltische  
Multi-Purpose Table/Multitisch  
Multi-Purpose Cabinet/ Plastic Cabinet/ Multischrank  
Copyholder /Konzepthalter**

### 6667 TWIN CLICK Printer Shelf



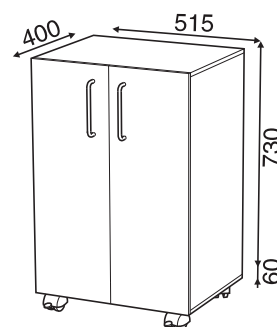
Colours: 6667-0 Beech  
6667-9 Grey

- Printer Shelf in beech or grey.
- Adjustable in depth.

### 6751 TWIN CLICK Multi-Purpose Cabinet 2

Colours: 6751-0 Beech  
6751-9 Grey  
Castors: 4 (2 lockable)  
Supplied complete with: 2 adjustable shelves  
Max load: 40 kg.

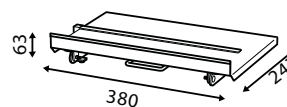
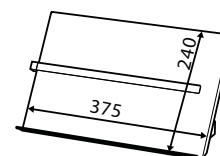
- Can also be used as stand for photocopier, printer, fax etc.
- Knock down, with assembly instruction and screws



### 7700 TWIN LINE BASE 2 Copyholder

Colour: 7700-8 Silver

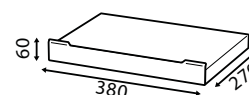
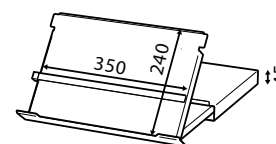
- With magnet ruler
- For adjustable distance and angle
- Strong and stable, will carry ring binder
- Can also be used as a laptop holder



### 7600 TWIN LINE BASE I Copyholder

Colour: 7600-8 Silver

- With magnet ruler
- For adjustable distance and angle
- Strong and stable, will carry a ring binder
- When not in use, the plate is in the base
- The plate slides easily on ball bearing slides
- Can also be used as a laptop stand

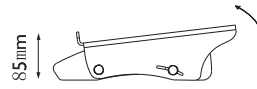


## 7400 Acrylic Copyholder

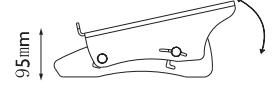


7\_options for height and angle adjustment

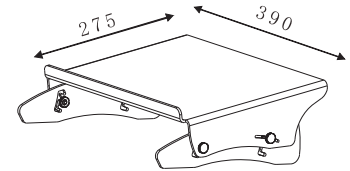
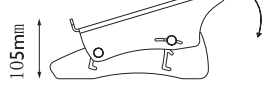
Adjustable Angle: 7°, 20°, 30°



Adjustable Angle: 13°, 23°



Adjustable Angle: 7°, 17°

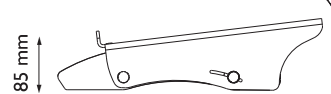


## 7500 Acrylic Copyholder

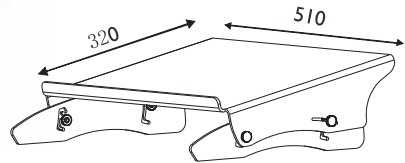
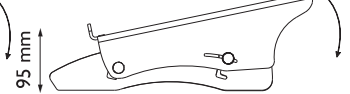


7\_options for height and angle adjustment

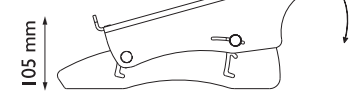
Adjustable Angle: 7°, 18°, 26°



Adjustable Angle: 12°, 21°



Adjustable Angle: 7°, 16°



- Made of high quality transparent acrylic; Easy to make an ergonomic correct positioning;
- Three preset heights plus different angle settings; Easy height and angle adjustment;
- Heavy duty enough to accommodate books or laptops; Max. load capacity: 10Kg; Elegant and Durable;

## 6880 TWIN Portable Lap Desk, Flexible Seating



- All-in-one plastic desk;
- Flexible Seating;
- Indoors or outdoors use;
- Durable plastic seat is lightweight and easy to carry.

## 7310 Adjustable Aluminum Laptop Stand



- Material: High-quality Aluminum Alloy;
- Wide Compatibility: compatible with all laptops for 10-17 inch;
- Easy Adjustable, Foldable & Portable Design;
- With rubber anti-slippery pads, stable when using.
- With heat emission holes;
- Size: 270x228x50 (Folding) ; 270x215x300mm(Unfolding).
- Loading capacity: 10Kg;



## 7311 Adjustable Aluminum Laptop Stand



- Material: High-quality Aluminum Alloy;
- Easy Adjustable, Foldable & Portable Design;
- With rubber anti-slippery pads, stable when using;
- Width: 190mm; Max. Height: 130mm;
- Loading capacity: 6Kg;



## 1281 / 1282 / 1283 / 1284 / 1285 Bookend



1281-1

Length: 150 mm;  
Height: 210 mm;  
Width: 115 mm;

Material: Powder coated sheet steel;



1282-1



1283-1

Colours: Black:

1281-1 / 1282-1 / 1283-1 / 1284-1 / 1285-1

White:

1281-2 / 1282-2 / 1283-2 / 1284-2 / 1285-2



1284-1



1285-1

## 1291 Door Stopper



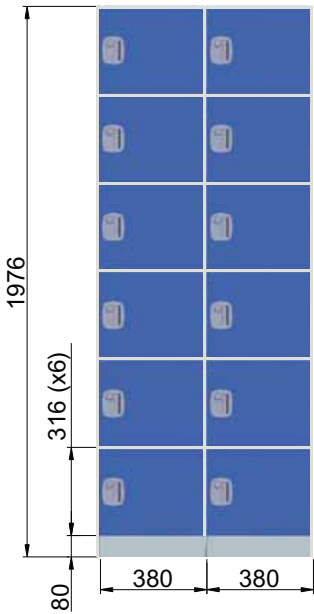
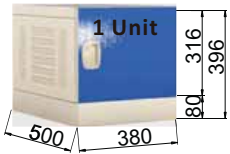
Length: 120 mm;  
Height: 36 mm;  
Width: 45 mm;  
Material: Rubber;  
Colour: Black



# Plastic Cabinet

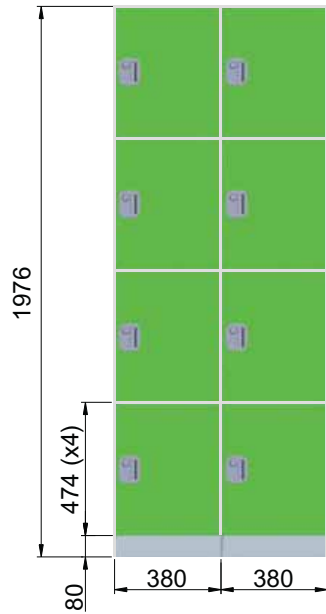
## 6720

6 tiers, 2 columns  
6 Etagen, 2 Spalten



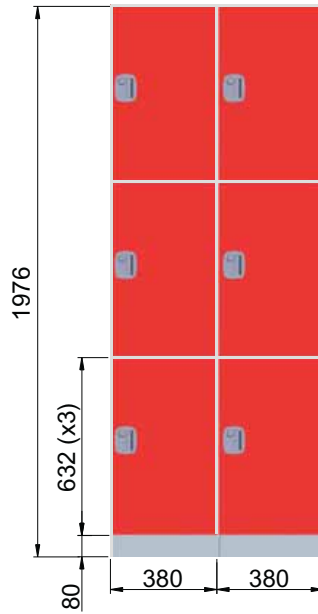
## 6721

4 tiers, 2 columns  
4 Etagen, 2 Spalten



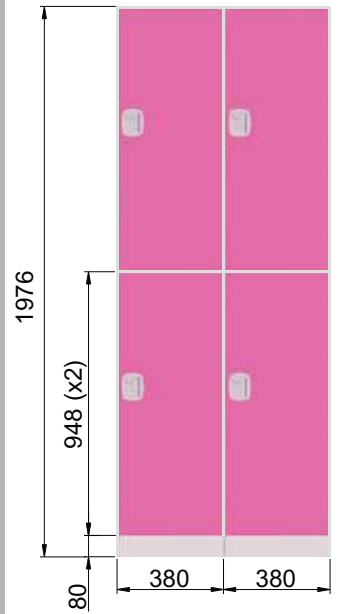
## 6722

3 tiers, 2 columns  
3 Etagen, 2 Spalten



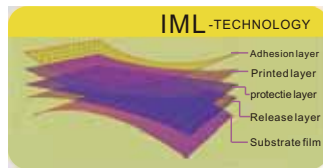
## 6723

2 tiers, 2 columns  
2 Etagen, 2 Spalten



### Door color code

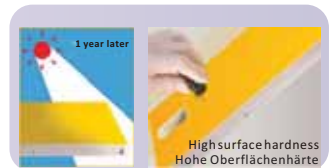
- |                                     |                                 |
|-------------------------------------|---------------------------------|
| <b>-1</b><br>Black<br>Ral 9005      | <b>-2</b><br>White<br>Ral 9010  |
| <b>-3</b><br>Yellow<br>Ral 1003     | <b>-4</b><br>Red<br>Ral 3028    |
| <b>-5</b><br>Blue<br>Ral 5015       | <b>-6</b><br>Orange<br>Ral 2004 |
| <b>-7</b><br>Anthracite<br>RAL 7024 | <b>-9</b><br>Grey<br>Ral 7035   |
| <b>-10</b><br>Green<br>Ral 6018     | <b>-15</b><br>Light Blue        |
| <b>-16</b><br>Wood<br>Grain 1       | <b>-17</b><br>Wood<br>Grain 2   |
| <b>-18</b><br>Violett               | Body boards<br>Grey<br>Ral 7035 |



Water-proof/Wasserdicht



UV resistance: Anti-aging; Anti-scratch



Easy to install and disassemble without any tool



Different high quality Locks



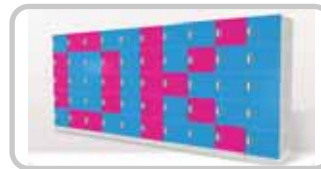
Vent holes: Insects prevention



KD design: Flat packing: Easy to assemble



Combine as you wish; Lock firmly



High-strength Nylon hinge



## TWIN LINE Cable Pipes/ Kabelkanäle

- Protects cables and users
- A crossbar is no problem
- With screws and assembly instruction

Colour: Silver

### I270

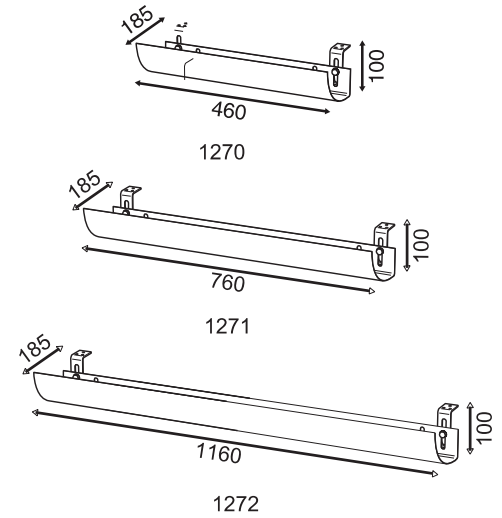
W:460 mm D:185 mm H:100 mm

### I271

W:760 mm D:185 mm H:100 mm

### I272

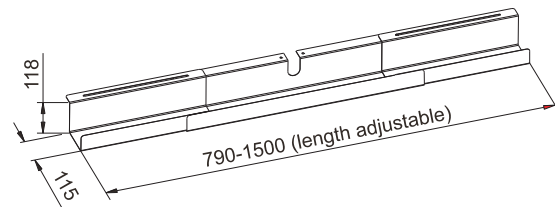
W:1160 mm D:185 mm H:100 mm



## I273 TWIN LINE Length Adjustable Cable Pipes/Längenverstellbare Kabelkanäle

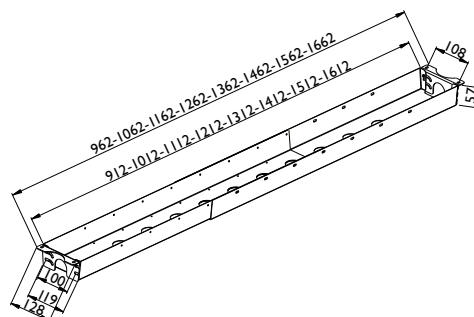
Colours: 2080-1 Black  
2080-2 White  
2080-8 Silver

- Power coated steel in silver;
- Length adjustable : 790-1500 mm, Height: 120 mm, Depth: 115 mm;
- Screw kits included .



## I274 TWIN LINE Length Adjustable Cable Pipes/Längenverstellbare Kabelkanäle

- Crafted with Power coated steel for durability;
- Easy & convenient - the tray can be open towards the user or towards the back of the desk;
- Length adjustable;
- Black, Silver and white colors available.



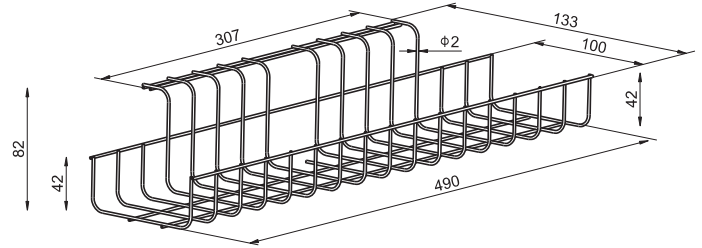
# Cable Cage

## I4197 TWIN Kabeltrådkurv/ Cable Cage

Colour: I4197-8 Silver  
L: 490 mm  
T: 100 mm H: 50 mm



I4197-8

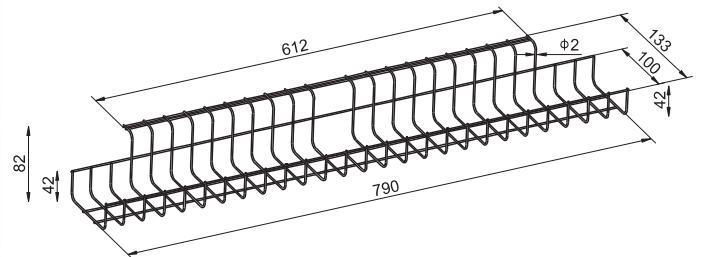


## I4198 TWIN Kabeltrådkurv/ Cable Cage

Colour: I4198-8 Silver  
L: 790 mm  
T: 100 mm  
H: 50 mm

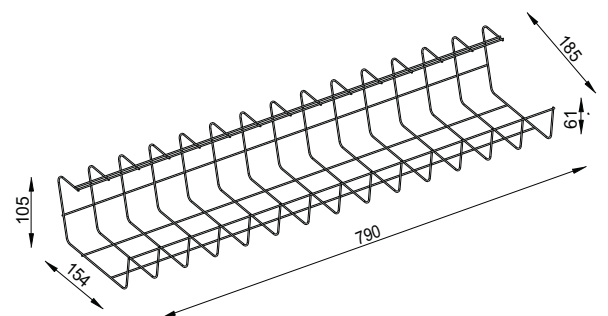
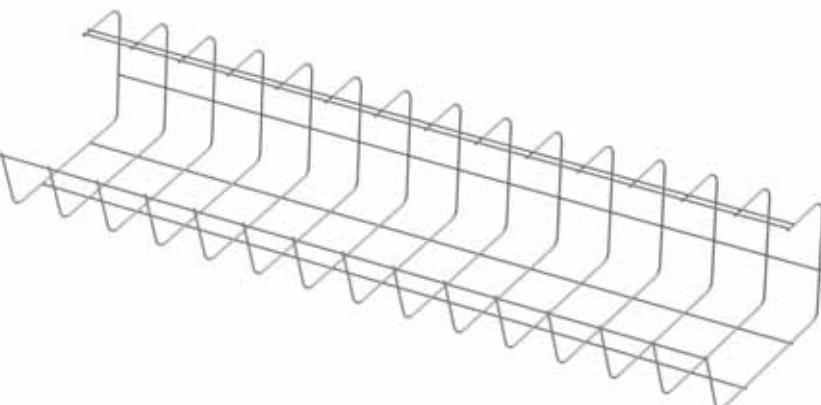


I4198-8



## I4199 TWIN Kabeltrådkurv/ Cable Cage

Colour: I4199-8 Silver  
L: 790 mm  
T: 185 mm  
H: 105 mm



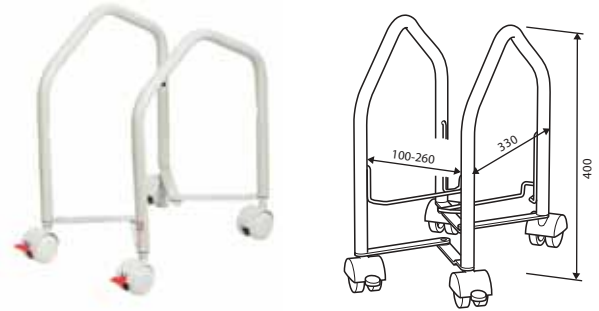


## 6512 TWIN CPU Mobile



Colour: 6512-9 Grey  
Castors: 4 (2 lockable)

- Mobile on castors- a CPU can be heavy
- Raised above the floor to avoid dust being drawn into the CPU, easy to clean
- Adjustable in width
- Mounting instruction included
- Can be assembled horizontal or angled
- Max. load: 30 Kg.



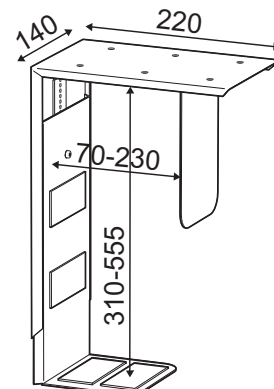
## I202 TWIN LINE CPU Holder/ CPU Halter



Colours: I202-1 Black  
I202-2 White  
I202-8 Silver  
I202-9 Grey

Mounting:

- Max. load: 30 kg.
- Attaches to underside of table top
- Table top min. 20 mm
- Screws and assembly instructions enclosed
- Optimal for adjustable tables



# Letter Tray System

## 2100 TWIN PANORAMA Letter Tray System

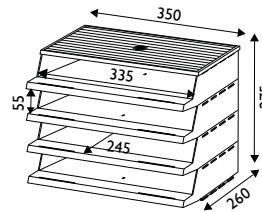


Colours: 2100-1 Black  
2100-2 White  
2100-5 Blue  
2100-9 Grey

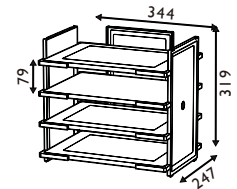
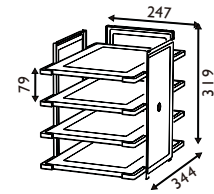
Format: C4

Packed: 4 letter trays  
1 Top board  
4 Shields  
10 Inserts

- Easy clicked together
- Can be mounted on the wall



## 2500 TWIN FLEX Letter Tray System



Colours: 2500-1-1 Black/Black  
2500-1-4 Black/Red  
2500-1-5 Black/Blue  
2500-9-9 Grey/Grey

Format: C4

Packed: 4 letter trays  
1 Top board  
4 Shields  
10 Inserts

- Easy clicked together
- with two possibilities as deep or wide

## 2200 TWIN Flexible Wall-mount Literature Holder



2200-1



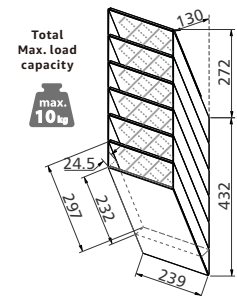
2200-2



2200-7



2600-9



Colours:

2200-1  
Black  
Ral 9005

2200-2  
White  
Ral 9016

2200-7  
Transparent

2200-9  
Light Grey  
Ral 7012

For documents up to A4 size of portrait orientation;  
Easy clicked together; Compact packaging;  
Extendable to 12 or more compartments of different format;  
Immediate identification of documents via its transparent compartments (2200-7);  
6 compartments; Mountings kits included;  
Made by high quality plastic; Sturdy and durable.

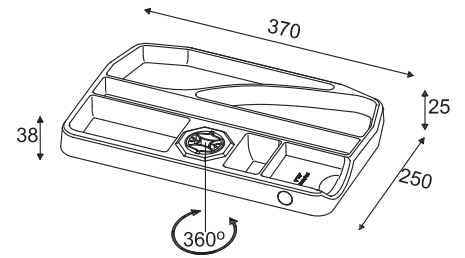


## 9040 TWIN Svingbar Pennebakke/Pen Tray - rotatable



Colours: 9040-1 Black  
9040-2 White  
9040-9 Grey

- Suitable for most table tops with limited space
- Rotation: 360 degrees
- The TWIN Pen Tray is a good solution, where order and workspace is required
- Easy to fit under the table
- Mounts with two screws
- Refined quality and beautiful design



## 9041 Rotating Under Desk Organizer



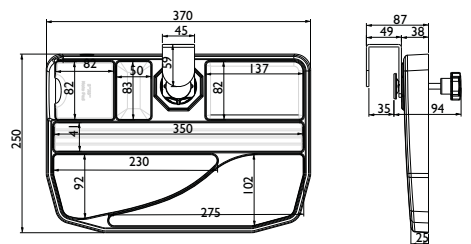
- 9040 Pen Tray with sturdy c-clamp;
- Sturdy c-clamps - attach to the workstation without causing any damage to your desk. It hold everything tightly in place and are easily adjustable for user convenience; Easy installation;
- 360° Rotating Under Desk Organizer - you can easily open or hide it according to your needs. It can be fixed back in place easily. Capacity Large and Multi-space Design.



9041-9



9041-1



## 9030 TWIN Under Desk Drawer



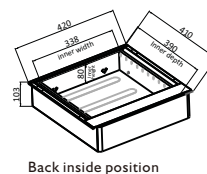
9030-1



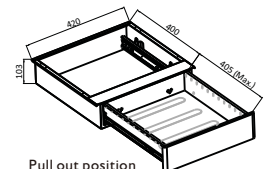
9030-2



- Mounted Sliding Under Desk Pull-Out Drawer;
- Product size: 420x410x100 mm;
- High quality powder coated steel;
- 2 PCS durable 3-fold slide; Heavy duty and soft close sliding track;
- Easy to be installed under the desktop with screws; Screws kit included;
- Keeping your desktop neat and clean;
- Various models with different locks are available.



Back inside position



Pull out position

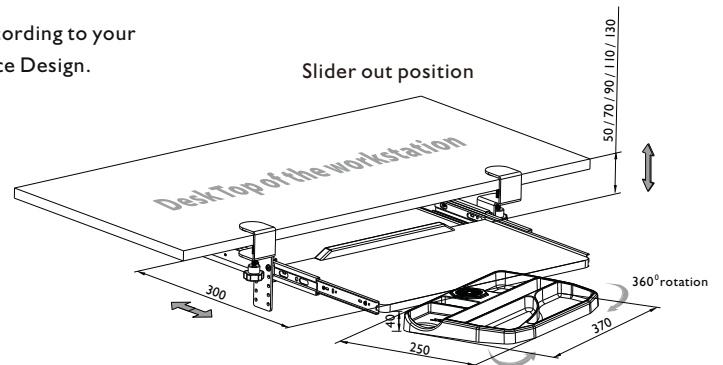
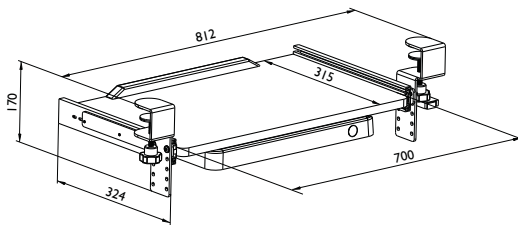


## 9070 TWIN Ergonomic Keyboard Drawer



- Under desk MDF wood shelf;
- Smooth sliding mechanism: equipped with steel ball-bearing glide tracks, the keyboard drawer easily slides in and out for convenient use.;
- Height adjustable keyboard tray;
- Sturdy c-clamps - attach to the workstation without causing any damage to your desk with sturdy c-clamps that hold everything tightly in place and are easily adjustable for user convenience; Easy installation;
- 360° Rotating Under Desk Organizer - you can easily open or hide it according to your needs. It can be fixed back in place easily. Capacity Large and Multi-space Design.

360° Rotating Under Desk Organizer

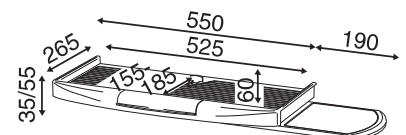
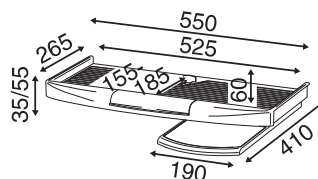


## 9060 TWIN Keyboard Drawer



- Colour: 9060-I Black
- Height under desk plate can be adjusted from 20 to 50 mm
- Pencil tray in wrist support
- Assembling instruction enclosed

B: 550 T: 370 H: max. 35



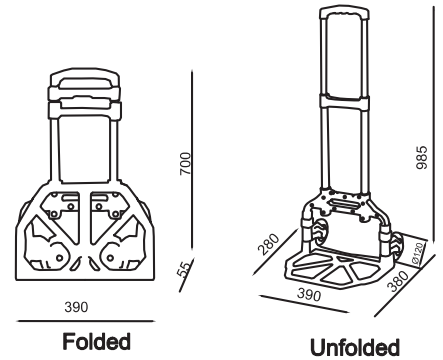


**9500-8 TWIN sammenklappelig  
Sack Truck - Foldable/Sackkarre - Klappbar**

Colour: 9500-8 Silver/Black

- Compact when folded  
- quick to unfold
- Folds extremely flat by a simple press on the button.
- Minimum storage space required
- Rubberband included

Measures HxWxD  
Unfolded: 985x390x380 mm  
Folded: 700x390x55 mm  
Load capacity: 80 kg.



**9710/9720 TWIN Platform Trolley - Foldable  
Rollwagen - Klappbar 150/300 kg**



**9710**

- High handle aluminium foldaway trolley
- Compact when folded  
- easy to unfold
- Non slip vinyl deck to protect goods
- Buffer all around the deck to protect your walls

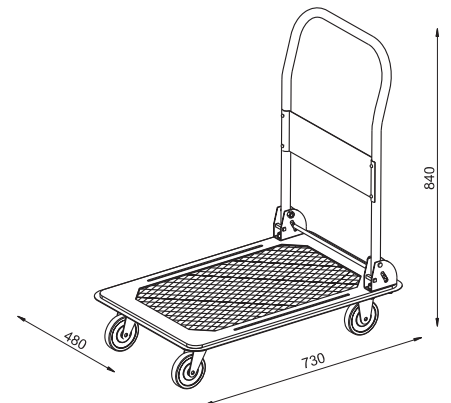
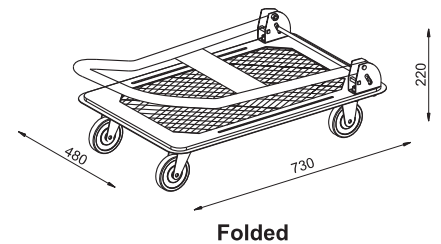
Colour: 9710-2 white/blue  
Max load: 150 kg

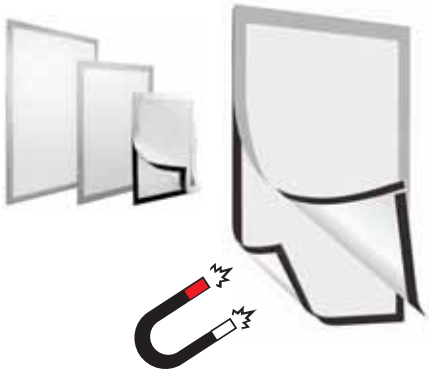
Measures (LxHxW):  
Unfolded: 730 x 840 x 480 mm  
Folded: 730 x 220 x 480  
Toe plate (LxW): 730 x 480 mm

**9720**

Colour: 9720-2 white/blue  
Max load: 300 kg

Measures(LxHxB):  
Unfolded: 910x870x610 mm  
Folded: 910x290x610 mm  
Toe plate (LxW): 910x610 mm





## 7151, 7152, 7153 TWIN Magnetic Frame

Model	7151	7152	7153
Size	A5	A4	A3

- Display Frame with fold-able magnetic;
- Transparent and Glare-free front side;
- Quick insertion and easy changing of documents;
- Magnet backing. Self adhesive on the surface of iron;
- Can be used horizontally or vertically;
- Various colours of frames available.



## 7161, 7162, 7163 TWIN Magnetic Frame

Model	7161	7162	7163
Size	A5	A4	A3

- Self-adhesive Poster Frames;
- large-scale advertisement;
- Transparent, Low reflection, UV stabilised special Film;
- Frames open easily due to magnet;
- The frames is simply fitted to the inside of a shop window;
- Allowing poster to be read from outside while keeping it protected behind the glass.
- Various colours of frames available.

## 7212, 7213, 7214 TWIN Magnetic Document Panel

Model	7212	7213	7214
Size	A5	A4	A3



- Magnetic rubber backing;
- Wall mounted;
- Anti-glare clear PVC for easy viewing of contents;
- Quick insert wallet.

## 1768 TWIN Strong Magnet Hook

Model	Capacity (Kg.)	Size (mm)
1768	1.5	Dia50, Depth 25

- Stainless Hook;
- Various colours available.



## 1766 TWIN Smart Magnet Storage Box

Model	Capacity (Kg.)	Size (mm)
1766	1.0	Length 128, Depth 40, Height 76



## 1765 TWIN Magnet Eraser with Holder

- Magnet Eraser which can also holds the marker Pen;
- Felt Pad;
- Cost effective.
- Size: Length 144, Depth 26, Height 52mm





## 8156 TWIN Elegant Coat Stand

- Concrete base with black plastic coating;
- Dia. 355mm black plastic base cover;
- Base can be as umbrella holder;
- Power coated steel tube in silver - Dia. 38mm;
- Solid wood ball in beech color.



## 8120 TWIN Elegant Coat Stand

- Rotatable black plastic hook base;
- Sturdy plastic hooks in black;
- Strong powder coated metal tube in black, Dia. 38 mm;
- Size: 350x350x1750 mm.



## 8154 TWIN Upright Coat Stand

- Concrete base with black plastic coating;
- Dia. 355mm black plastic base cover;
- Base can be as umbrella holder;
- Power coated steel tube in silver - Dia. 48mm;
- Solid wood ball in beech color.



## 8131 TWIN Crown Coat Stand

- Rotatable black metal hook base;
- Sturdy plastic hooks in black;
- Strong powder coated metal tube in black, Dia. 48 mm;
- Size: 430x430x1760 mm.



## 8117 TWIN Smart Coat Stand

- Powder coated metal cross bar base;
- Metal tube with powder coating in silver;
- Metal hook with powder coating in silver;
- Solid wood caps in beech on hooks' end;
- Size: 500x500x1700



## 8118 TWIN Coat Stand

- Powder coated metal cross bar base;
- Metal tube with powder coating in silver;
- Rotatable black plastic hook base;
- Sturdy plastic hooks in black;
- Size: 500x500x1750 mm.



8158



8159

## 8158 / 8159 TWIN Classic Coat Stand

- Rotatable plastic hook base;
- Sturdy metal hooks in silver; 8158: powder coated, 8159: chrome plated;
- 8158: Solid wood caps in beech on hooks' end;
- 8159: Black plastic caps on hooks' end.
- 8158: Strong powder coated metal tube in silver, Dia. 38 mm;
- 8159: Glossy chrome plated tube, Dia. 38 mm;
- Size: 405x405x1790 mm.



## 855 TWIN Coat Stand

- Silver painted metal tube. Marble Base
- Solid Wooden caps
- Dia. 380mm, Height 1870mm



## 863 TWIN Coat Stand

- Silver painted metal tube. Marble Base
- Solid Wooden caps
- Dia. 380mm, Height 1890mm



## 8133 TWIN Multi-functional Coat Stand

- Heavy concrete base for excellent stability ;
- Dia. 355mm black plastic base cover ;
- Umbrella holder with integrated drip tray on the base;
- Durable powder coated steel tube, Dia. 38 mm;
- 6 black plastic coat hanger included;
- Size: 500x355x1730 mm.



## 8157 TWIN Multi-functional Coat Stand

- Heavy concrete base for excellent stability ;
- Dia. 355mm black plastic base cover ;
- Umbrella holder with integrated drip tray on the base;
- Durable powder coated steel tube, Dia. 38 mm;
- With 6 high quality powder coated steel coat hangers;
- Solid wooden caps in beech color on the end of hooks;
- Size: 465x405x1750 mm.



## 8163 TWIN Multi-functional Coat Rack

- Sturdy steel construction, durable powder coating in silver ;
- With 6 coat/hat hooks on 2 sides;
- Mobile on 4 durable swivel castors, with wheel stops;
- With 6 high quality powder coated steel coat hangers;
- Solid wooden caps in beech color on the end of hooks and hangers;
- Size: 1140x550x1760 mm.





## 8114 TWIN Coat Stand

- Silver painted steel structure
- Marble Base
- Solid Wooden caps
- Dia. 350mm, Height 1720mm



## 8181 TWIN Coat Stand

- Silver painted steel structure
- Marble Base
- Solid Wooden caps
- Dia. 350mm, Height 1720mm



## 856 TWIN Coat Stand

- Silver painted metal tube. Marble Base
- Solid Wooden caps
- Dia. 380mm, Height 1870mm



## 8273 TWIN Coat Stand

- Black painted metal tube. Marble Base
- With 4 high quality powder coated steel coat hangers;
- Dia. 380mm, Height 1720mm



8020



8021



8022

## 8020/ 8021/ 8022 TWIN Wall mounted Coat Hanger

- Sturdy steel construction, durable powder coating in silver;
- Solid wooden caps in beech color on the end of hooks;
- Wall mounted. mounting kits included;
- Size: 8020: 300 (L) x 170 (H) x 105 (D) mm;
- 8021: 450 (L) x 170 (H) x 105 (D) mm;
- 8022: 750 (L) x 170 (H) x 105 (D) mm.



## 8023 TWIN Hooked Coat Hanger

- Sturdy steel construction, durable powder coating in silver;
- Solid wooden caps in beech color on the end of hooks;
- Hooked on doors or partitions for easy use;
- Size: 300 (L) x 360 (H) x 140 (D).



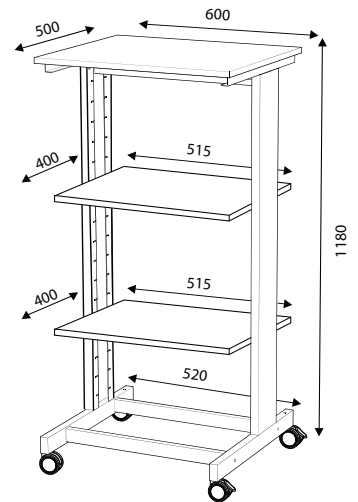
Freedom of choice - the right height for sitting, standing or any height in between.  
Lift the monitor and keyboard plate and **CLICK** to the correct working height.

## 6830 TWIN CLICK Printer Stand I



Colours: 6860-0 Beech  
6860-9 Grey  
Max. load: 40 kg.  
HEAVY DUTY castors:  
2 with and  
2 without brakes  
Accessories: 6667 + 9040

- Grey frame with panels in beech or grey
- Incl. 2 printer shelves
- Provides space saving  
Accommodate a printer, CPU, fax, paper trays and other devices



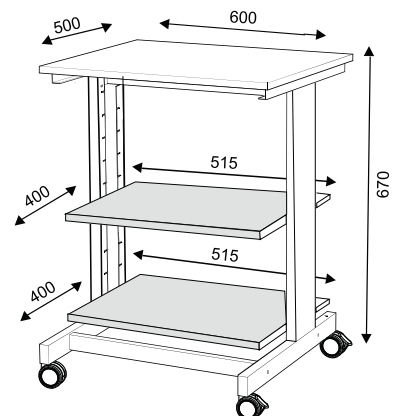
## 6860 TWIN CLICK Printer Stand 2



Colours: 6860-0 Beech  
6860-9 Grey

Max. load: 40 kg.  
HEAVY DUTY Castors:  
2 with and 2 without brakes  
Accessories: 6667 + 9040

- Grey frame with panels in beech or grey
- Incl. 2 printer shelves
- Provides space saving  
Accommodate a printer, CPU, fax, paper trays and other devices



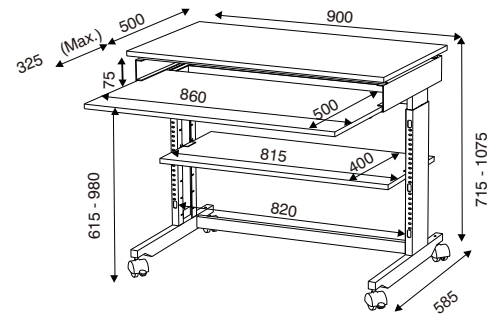
## 6810 TWIN CLICK Workstation



Colours: 6810-0 Beech  
6810-9 Grey

Castors: 2 with brakes  
and 2 without  
Max. load: 40 kg.

- Desktop in beech or grey adjustable in depth
- Including printer shelf
- Lift and CLICK for adjustment



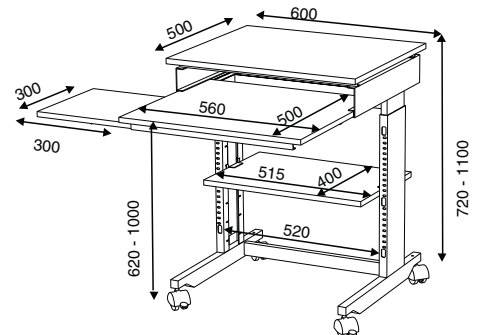
## 6820 TWIN CLICK Workstation



Colours: 6820-0 Beech  
6820-9 Grey  
Castors: 4 (2 lockable)

Accessory: 6667

- desktop in beech or grey
- Including printer shelf
- Retractable keyboard plate
- Lift and CLICK for adjustment



## 6651 TWIN CLICK Multi-Purpose Table

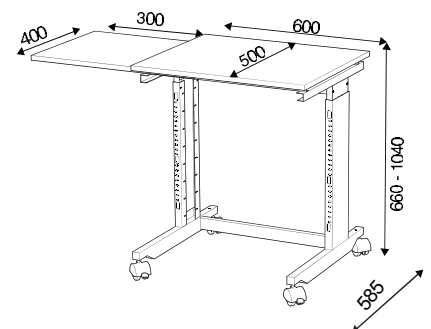


Colours: 6651-0 Beech  
6651-9 Grey

Castors: 2 with brakes  
and 2 without

W: 600 mm, D: 500 mm,  
H: 660-1040 mm  
Max. load: 40 kg.

- Grey frame with desktop in beech or grey
- Includes sliding shelf, sliding out to right or left
- A multi-purpose table that can be used for laser printer, fax etc.
- Accessories: 6667

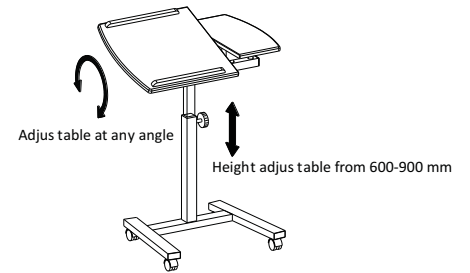
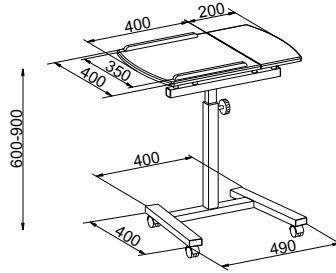


## 6650 TWIN MULTI-PURPOSE TABLE/MEHRZWECK-TABELLE

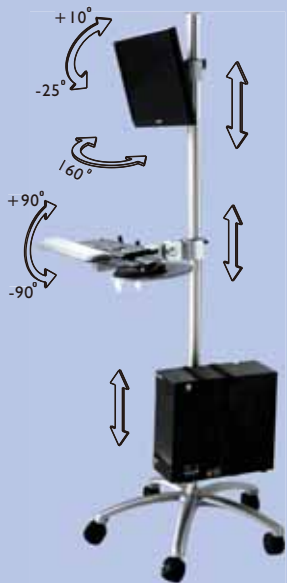
Colours: 6650-I Black



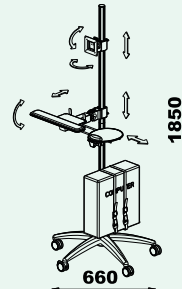
- Grey powder coated steel construction;
- Black melamine coated MDF board with 2 stoppers to prevent items from slipping off;
- Height adjustable from 600-900mm in easy way; Angle adjustable quickly;
- Mobile on 4 casters. 2 casters include brakes for locking position.
- Supplied flat pack – easy self-assembly;



## 6870 TWIN MOBILE COMPUTER WORKSTATION/ARBEITSPLATZ



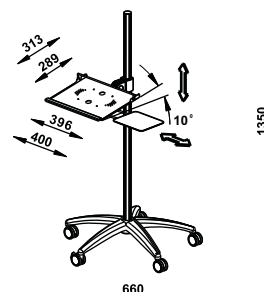
- Lightweight and durable aluminum construction, 660mm base. 1850mm height;
- Monitor mount adjusts easily for optimal viewing;
- Height adjustable for Monitor mount and Keyboard tray in easy way;
- Keyboard/Mouse tray up or down easily for storage;
- Retractable mouse tray that can be attached on either side for convenience;
- Soft Wrist Pad and Mouse pad with soft wrist foam for comfort
- Strap CPU Holder assembles CPU tightly in easy way.
- 5 silent casters. 3 casters include brakes for locking position.



## 6871 TWIN MOBILE LAPTOP WORKSTATION/ARBEITSPLATZ



- Lightweight and durable aluminum constructio, 660mm base. 1350mm height;
- Laptop tray fits typical laptops up to 15" screen.;
- Platform is angled at 10 degrees for ergonomic operation;
- Height adjustable in easy way;
- The security bar secures your laptop via included screws or small padlock.
- Retractable mouse tray that can be attached on either side for convenience;
- 5 silent casters. 3 casters include brakes for locking position.



## 6930 / 6931 / 6932 TWIN Rectangular Table



- E1 grade T15mm melamine coated chipboard, 6 colors available;
- Frame made of rectangular tubular steel 50x25 mm with powder coating;
- Table legs with floor level adjustment screws;
- Heavy duty desk; Durable and stable;
- Supplied flat pack – easy self-assembly; Mail Order Packaging.

Beech / Silver



Black / Silver



White / White



Walnut / White

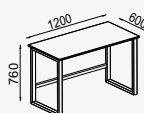
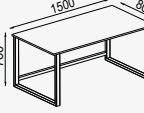
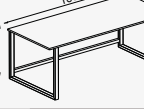


Oak / White



Grey wood / White



Measures	Item No.	Table Top colour	Metal Frame colour
1200 x 600 x 760 	6930-0	Beech finish	Silver
	6930-1	Black	Silver
	6930-2	White	White
	6930-16	Walnut finish	White
	6930-20	Oak finish	White
	6930-21	Grey wood finish	White
1500 x 800 x 760 	6931-0	Beech finish	Silver
	6931-1	Black	Silver
	6931-2	White	White
	6931-16	Walnut finish	White
	6931-20	Oak finish	White
	6931-21	Grey wood finish	White
1800 x 800 x 760 	6932-0	Beech finish	Silver
	6932-1	Black	Silver
	6932-2	White	White
	6932-16	Walnut finish	White
	6932-20	Oak finish	White
	6932-21	Grey wood finish	White

## 6935 / 6936 TWIN Corner Desk



- E1 grade T15mm melamine coated chipboard, 5 colors available;
- Frame made of rectangular tubular steel 50x25 mm with powder coating;
- Table legs with floor level adjustment screws;
- Mountable on both sides;
- Heavy duty desk; Robust and stable;
- Supplied flat pack – easy self-assembly; Mail Order Packaging.

Beech / Silver



Black / Silver



White / White



Walnut / White

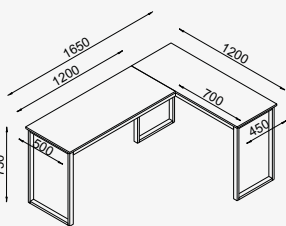
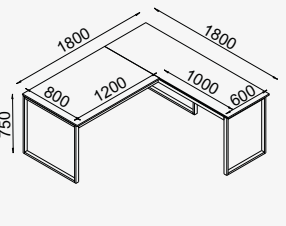


Oak / White



Grey wood / White



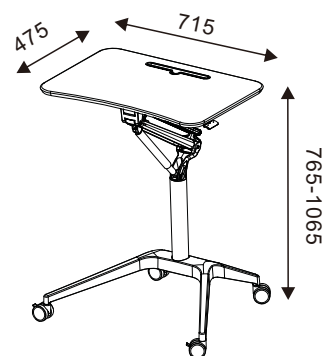
Measures	Item no.	Desktop colour	Metal Frame colour
1650 x 1200 x 760 	6935-0	Beech finish	Silver
	6935-1	Black	Silver
	6935-2	White	White
	6935-16	Walnut finish	White
	6935-20	Oak finish	White
	6935-21	Grey wood finish	White
1800 x 1800 x 760 	6936-0	Beech finish	Silver
	6936-1	Black	Silver
	6936-2	White	White
	6936-16	Walnut finish	White
	6936-20	Oak finish	White
	6936-21	Grey wood finish	White

# Movable Lifting Table



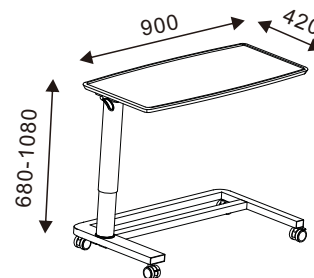
## 6653 TWIN Movable Lifting Table

- Height range: 765-1065mm
- Max. loading: 60kgs
- Stationary holder: optional
- Top: MDF+PVC, 715x475x18mm w/ curve
- Frame: Alu. die-casting, powder coated Base: Alu. die-casting, powder coated.
- Castors: 2.5"PU castors, 2 lockable.



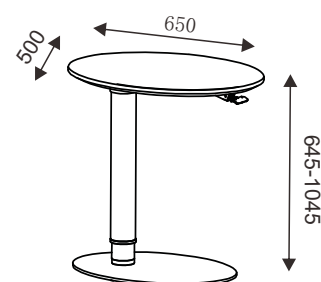
## 6665 TWIN Movable Lifting Side Table

- Height range: 680-1080mm
- Max. loading: 60kgs
- Top: MDF+PVC, 900x420x18mm rectangle
- Column: Alu. die-casting, powder coated
- Base: Metal, powder coated
- Castors: 2.5"PU castors, 2 lockable.
- Box size: 1150x650x200mm
- G.W.: 16.00 kgs



## 6660 TWIN Gas Lifting Side Table

- Gas spring lifting mechanism; Height adjustable;
- E1 grade T18 mm melamine coated chipboard. Various colors available;
- Alu. die-casting construction;
- Powder coating in silver color;
- Extra holder for ipad, cell phone, pens etc.



Color options

Color code of wood board



XXXX-1  
Black



XXXX-2  
White



XXXX-22  
Marple Wood



XXXX-16  
Walnut

Color of metal frame



White



Silver



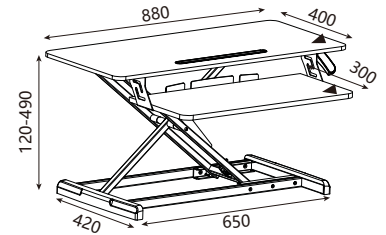
Black

# Desktop Table / Laptop Desk / Portable Folding Table

## 6655 TWIN Ergonomic Laptop desk



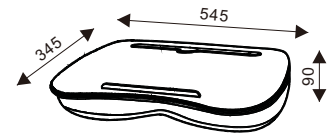
- High-quality gas spring lifting mechanism;
- Soft and smooth height adjustments by pressing the handler easily;
- Durable and robust powder coated steel structure make the desk very stable;
- E1 grade melamine coated chipboard in black color;
- Desktop slot provides extra space for cell phone and pens etc.
- Ergonomic keyboard tray keeps proper height between keyboard and monitor to prevent wrist strain.



## 6656 TWIN Bamboo Portable Desk



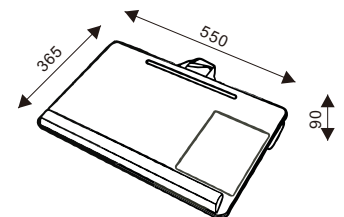
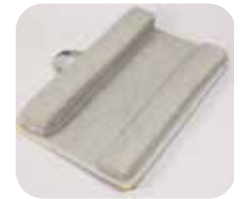
- High-quality bamboo desk top;
- Soft pillow on the backside;
- Pillow cover: nylon fabric; Pillow core: polystyrene foam;
- Desktop slot provides extra space for cell phone, ipad and cup etc.
- Multi-used as a laptop desk, copy holder or a pillow for rest;
- Provides more comfort and more stability;
- This laptop desk is lightweight, that allows you to easily take it with you everywhere.



## 6657 TWIN Bamboo Portable Desk



- High-quality bamboo desk top;
- Soft pads on the backside;
- Soft pad cover: nylon fabric; Pillow core: polystyrene foam;
- Desktop slot provides extra space for cell phone, ipad etc;
- Desktop with soft wrist foam for comfort use;
- with mouse pad for convinient use;
- Multi-used as a laptop desk, copy holder or a pillow for rest;
- This laptop desk is very lightweight and comes with a handle, that allows you to easily take it with you everywhere.

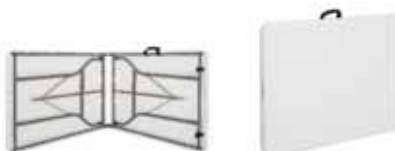
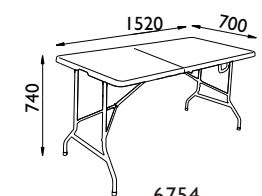
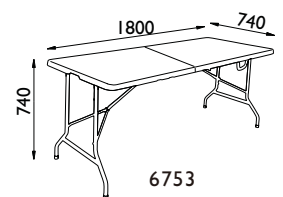


## 6753 / 6754 TWIN Portable Folding Table



- ;HDPE plastic table top;
- Thanks to the folding function, the desk can be set up in a simple way and can be folded up again when not in use and stowed away to save space;
- This desk can be folded in small size and comes with a handle, that allows you to easily take it with you everywhere;
- The sturdy powder coated metal frame with locking mechanism offers optimum stability at all times;
- Compactfolded size / weight:

6753: 7 x 90 x 74 cm, 11 kg;  
6754: 7 x 76 x 70 cm, 10 kg.



Folded view

## 6920 / 6921 / 6922 / 6923 TWIN Acoustic Partition

- ▶ 2 sided acoustic polyester fiber felts absorbs sound in open spaces;
- ▶ Each felt panel thickness 10mm. Sound absorbency rating of 0.85 NRC (85%);
- ▶ The inner frames of the office dividers are made of wooden board, which is strong and durable;
- ▶ Strong bearing capacity on the metal feet, which is not easy to tilt;
- ▶ The covering polyester fabric is scratch-proof and wear-resistant, lasting long service time;
- ▶ 2 sided pin board. For pinning up photos and documents; panel meets UL94-HB flame resistance standards.



### Foot provided separately

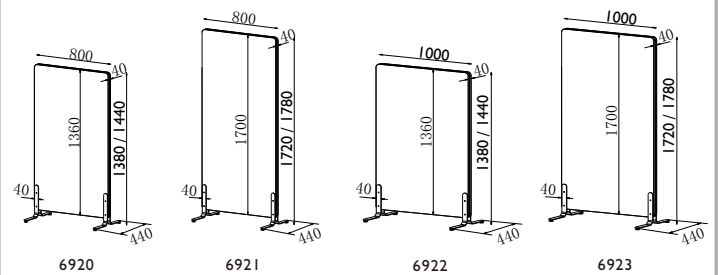


69201  
fix foot with floor  
level adjustment screws

69202  
Mobile foot

69203  
Corner foot

### Measurements



### Four Standard Colors:

- 6920-1 / 6921-1 / 6922-1 / 6923-1: Dark grey
- 6920-3 / 6921-3 / 6922-3 / 6923-3: Brown
- 6920-5 / 6921-5 / 6922-5 / 6923-5: Blue
- 6920-9 / 6921-9 / 6922-9 / 6923-9: Light Grey

Various colors fabric available.

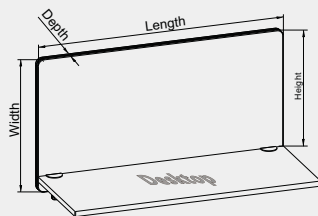
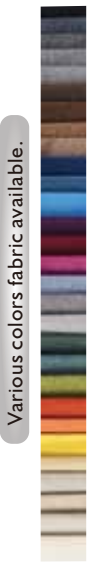
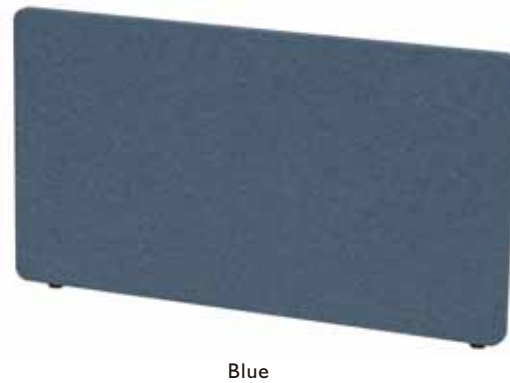
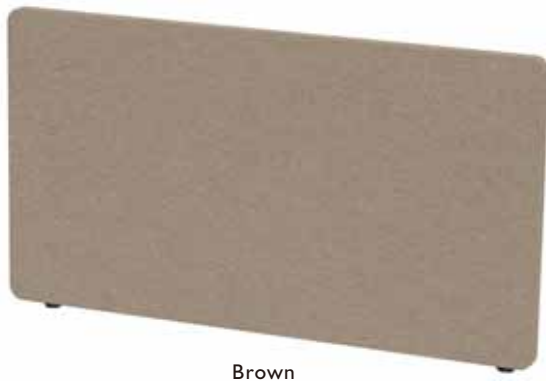




## TWIN Table Acoustic Partition

### Technical features

- › 2 sided acoustic polyester fiber felts absorbs sound in open spaces;
- › Each felt panel thickness 10mm. Sound absorbency rating of 0.85 NRC (85%);
- › The inner frames of the office dividers are made of wooden board, which is strong and durable;
- › Strong bearing capacity on the metal clamps, which is not easy to tilt;
- › The covering polyester fabric is scratch-proof and wear-resistant, lasting long service time;
- › 2 sided pin board. For pinning up photos and documents; panel meets UL94-HB flame resistance standards.



### Measurements

Model No.	Partition Size LengthxWidthxDepth	Height	Model No.	Partition Size LengthxWidthxDepth	Height
6940	600x600x32 mm	500	6950	600x650x32 mm	570
6941	800x600x32 mm	500	6951	800x650x32 mm	570
6942	1000x600x32 mm	500	6952	1000x650x32 mm	570
6943	1200x600x32 mm	500	6953	1200x650x32 mm	570
6944	1400x600x32 mm	500	6954	1400x650x32 mm	570
6945	1600x600x32 mm	500	6955	1600x650x32 mm	570
6946	1800x600x32 mm	500	6956	1800x650x32 mm	570



# Forearm support



- ▶ High quality PU leather or lycra covering with soft touching feelings;
- ▶ Soft and sturdy support to give optimal comfort relief for the arms;
- ▶ The inner material is soft sponge and woodboard with strong steel base for sturdiness;
- ▶ Easily attachable to all typical desktops by strong metallic fasteners and clamps;
- ▶ Stable and durable.



Model No.	Forearm support board	Clamps	Technical Details	
			Covering:	Inner:
410392-2 (Leather)			Covering:	Soft black PU leather or lycra fabric
410392-1 (Lycra)			Inner:	T15mm sponge cushion + T8mm MDF board
			Backing:	T2.2mm black powder coated steel board
			Size:	690(Length) x 215(Width) x 25(Thickness) mm
			Clamps:	3 positioning options for different table
410398-2 (Leather)			Covering:	Soft black PU leather or lycra fabric
410398-1 (Lycra)			Inner:	T15mm sponge cushion + T8mm MDF board
			Backing:	T2.2mm black powder coated steel board
			Size:	670(Length) x 225(Width) x 25(Thickness) mm
			Clamps:	3 positioning options for different table
410399-2 (Leather)			Covering:	Soft black PU leather or lycra fabric
410399-1 (Lycra)			Inner:	T6mm sponge cushion + T5mm wood board
			Backing:	T1.8mm black powder coated steel board
			Size:	685(Length) x 215(Width) x 13(Thickness) mm
			Clamps:	3 positioning options for different table
410400-2 (Leather)			Covering:	Soft black PU leather or lycra fabric
410400-1 (Lycra)			Inner:	T15mm sponge cushion + T8mm MDF board
			Backing:	T2.2mm black powder coated steel board
			Size:	685(Length) x 215(Width) x 25(Thickness) mm
			Clamps:	3 positioning options for different table
410402-2 (Leather)			Covering:	Soft black PU leather or lycra fabric
410402-1 (Lycra)			Inner:	T15mm sponge cushion + T8mm MDF board
			Backing:	T2.2mm black powder coated steel board
			Size:	670(Length) x 225(Width) x 25(Thickness) mm
			Clamps:	Foldable clamps
410404-2 (Leather)			Covering:	Soft black PU leather or lycra fabric
410404-1 (Lycra)			Inner:	T15mm sponge cushion + T8mm MDF board
			Backing:	T2.2mm black powder coated steel board
			Size:	310(Length) x 198(Width) x 25(Thickness) mm
			Clamps:	Angle adjustable freely. Positioning adjustable.
410405-2 (Leather)			Covering:	Soft black PU leather or lycra fabric
410405-1 (Lycra)			Inner:	T15mm sponge cushion + T8mm MDF board
			Backing:	T2.2mm black powder coated steel board
			Size:	700(Length) x 293(Width) x 25(Thickness) mm
			Clamps:	4 positioning options for different table

# Forearm support



- High quality linen fabric covering with soft touching feelings;
- Soft and sturdy support to give optimal comfort relief for the arms;
- Easy to use- no need to assemble;
- The clamps makes the Forearm support a perfect fit for any desk no matter thickness, frames, corners or rounded shapes.
- Stable and durable.

Model No.	Forearm support board	Clamps	Technical Details
410394			Covering: Dark grey linen fabric
			Inner: T8mm sponge + T15mm plywood
			Backing: Dark grey linen fabric (same as covering)
			Size: 605(Length) x 280(Width) x 23(Thickness) mm
			Clamps: 2 positioning options for different table
410395			Covering: Dark grey linen fabric
			Inner: T8mm sponge + T15mm plywood
			Backing: Dark grey linen fabric (same as covering)
			Size: 775(Length) x 280(Width) x 23(Thickness) mm
			Clamps: 2 positioning options for different table
410396			Covering: Dark grey linen fabric
			Inner: T8mm sponge + T15mm plywood
			Backing: Dark grey linen fabric (same as covering)
			Size: 605(Length) x 280(Width) x 23(Thickness) mm
			Clamps: 2 positioning options for different table
410397			Covering: Dark grey linen fabric
			Inner: T8mm sponge + T15mm plywood
			Backing: Dark grey linen fabric (same as covering)
			Size: 210(Length) x 290(Width) x 23(Thickness) mm
			Clamps:
410401		 <i>No clamps</i>	Covering: Soft black lycra fabric for the padding
			Inner: T15mm sponge cushion + T7mm plywood
			Backing: T1.2mm black powder coated big steel board
			Size: 700(Length) x 275(Width) x 24(Thickness) mm
			Mouse pad: ABS sheet
410403	 <i>Foldable</i>		Woodboard: T12mm MDF board
			Size: 310(Length) x 198(Width) x 25(Thickness) mm
			Clamps: Foldable
			Colors: Black, white, walnut, beech, Oak, Grey wood



# Forearm support



Model No.	Forearm support board	Clamps	Technical Details
410408	<p>Flush with the tabletop</p>		Covering: Black lycra or Dark grey linen fabric
			Inner: T8mm sponge + T15mm plywood
			Backing: Same as covering
			Size: 605(Length) x 220(Width) x 23(Thickness) mm
			Clamps: 2 positioning options for different table
410409	<p>Foldable</p>		Covering: Black lycra or
			Inner: T15mm sponge + T5mm plywood
			Backing: Same as covering
			Size: 240(Length) x 240(Width) x 23(Thickness) mm
			Clamps: Foldable

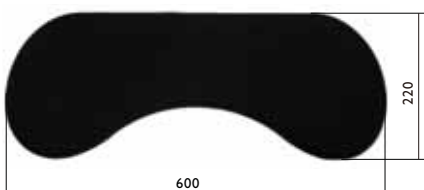
## 410410 TWIN Pro Heavy Duty Forearm Support



- Premium high density foam provide ultimate comfortable and supportive to the arms.
- High quality Lycra covering provide soft and smooth touching feelings.

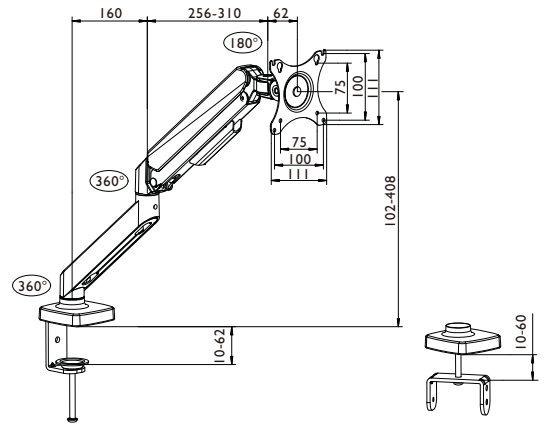


- Heavy-Duty Steel Construction for Durability Built from premium steel, ensuring long-lasting performance.



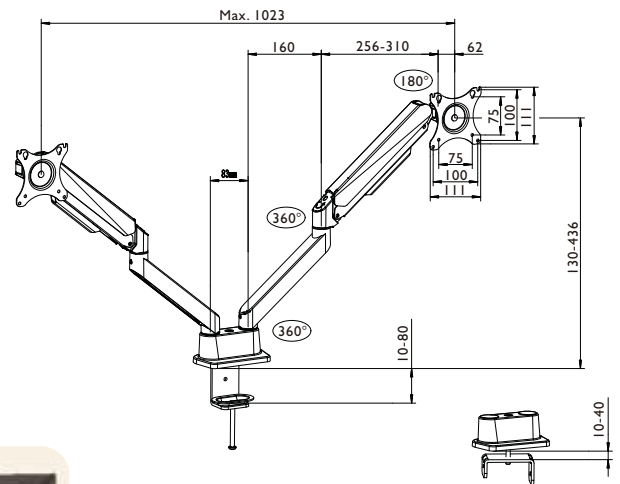
- Sturdy metal clamps that hold everything tightly in place.
- Easy installation - NO screws or tools needed.
- Rubber pads attach to the workstation without causing any damage to your desk.
- Adjustable plastic leveling cap provide maximum stability for the board.

## 57100 TWIN Single Monitor Arm Mount Stand



- Adjustable Gas Spring Arm Monitor Mount.
- Compatibility: computer screens size range 13~30 Inch.
- Weight Capacity: 2~9KG.
- VESA Compatible: 75X75 / 100X100.
- Tilt Range: -45~90°.
- Swivel Range: -90~90°.
- Screen Rotation: 360°.
- Colors: black, silver and white available.

## 57200 TWIN Dual Monitor Arm Mount Stand



- Adjustable Gas Spring Arm Monitor Mount.
- Compatibility: computer screens size range 13~30 Inch.
- Weight Capacity: 2~9KG.
- VESA Compatible: 75X75 / 100X100.
- Tilt Range: -45~90°.
- Swivel Range: -90~90°.
- Screen Rotation: 360°.
- Colors: black, silver and white available.



**TWINCO Solution ApS**  
Søndergade 3c  
DK-4130 Viby Sjælland  
Telefon: +45 7877 3587  
[info@twincosolution.dk](mailto:info@twincosolution.dk)  
[www.twinco.dk](http://www.twinco.dk)

